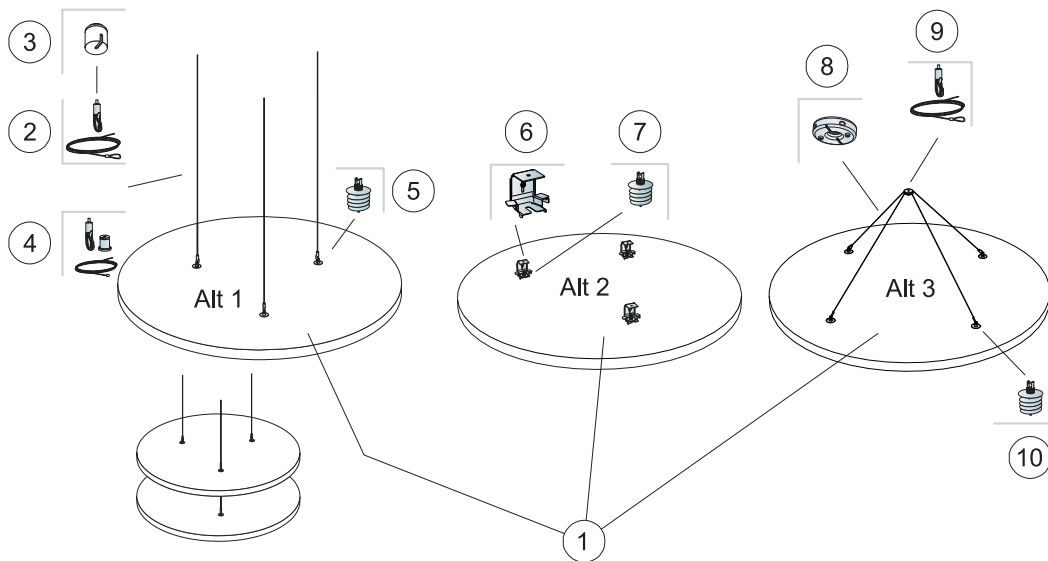


## Ecophon Solo<sup>™</sup> Circle

Ø1200  
M410



1. Ecophon Solo Circle Ø1200

2. Connect Adjustable wire hanger  
L=2000/5000 mm

3. Connect Covering cup

4. Connect Adjustable wire kit  
L=800/1500 mm

5. Connect Absorber anchor

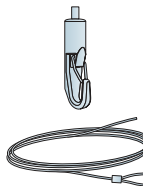
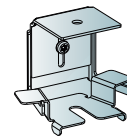
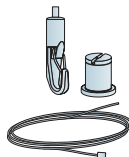
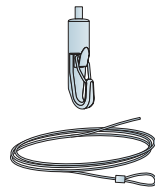
6. Connect Absorber bracket  
 $\Delta=90-110, 110-130$

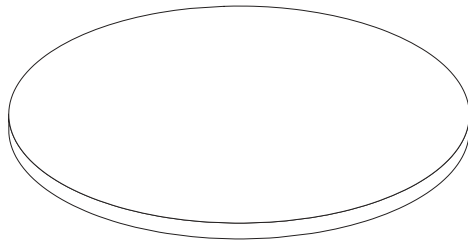
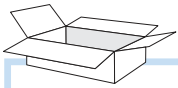
7. Connect Absorber anchor

8. Connect One-point fixing

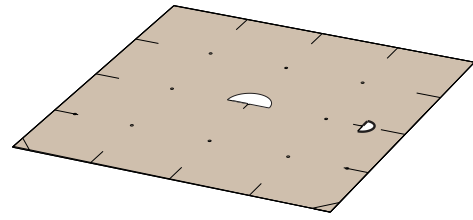
9. Connect Adjustable wire hanger  
L=2000 mm

10. Connect Absorber anchor





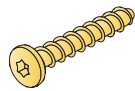
**x4**



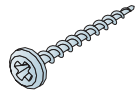
**x1**



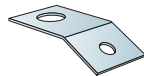
Connect Anchor screw with eye



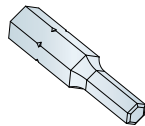
Connect Anchor screw



Connect Installation screw MWL



Connect Fixing plate



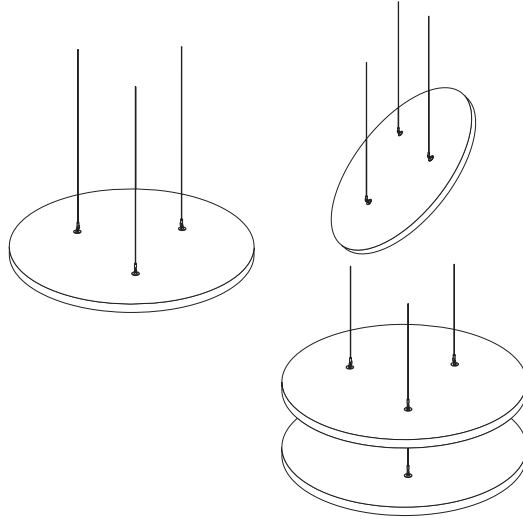
Connect Absorber anchor bit

**Ecophon**<sup>®</sup>  
SAINT-GOBAIN

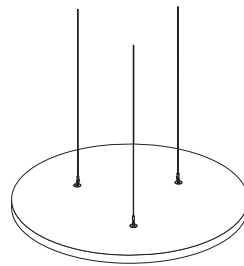
A SOUND EFFECT ON PEOPLE

[www.ecophon.com](http://www.ecophon.com)

Alt 1



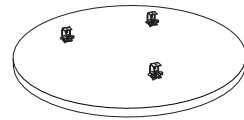
→ 1



→ 8

→ 11

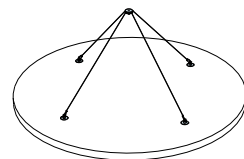
Alt 2



→ 12

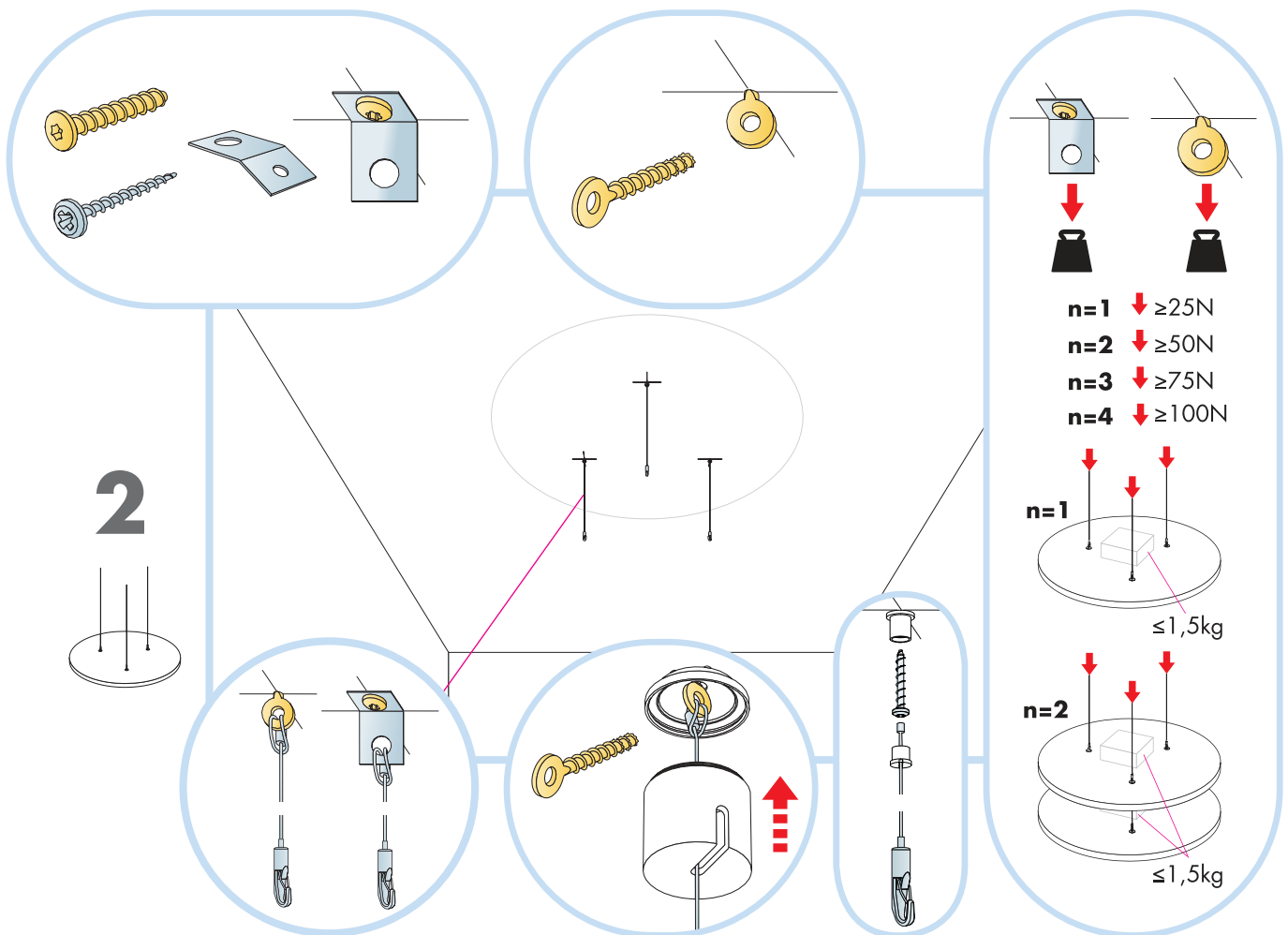
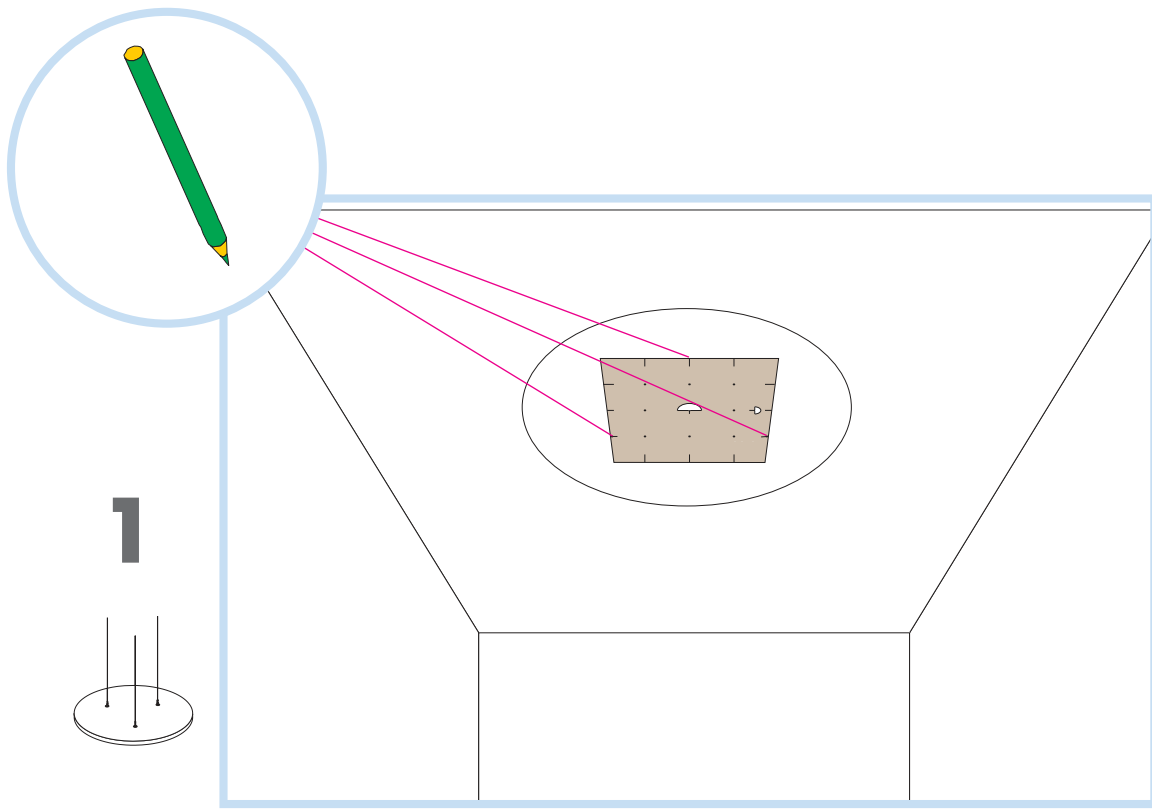
→ 17

Alt 3

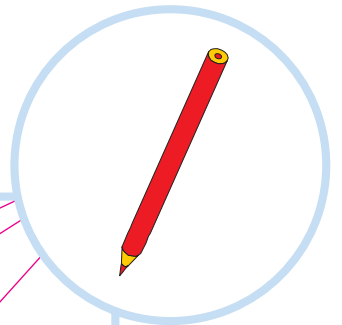
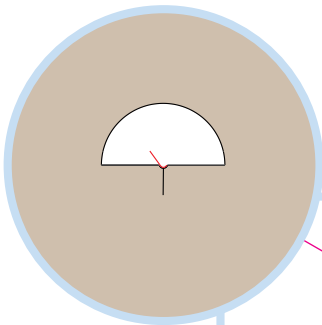
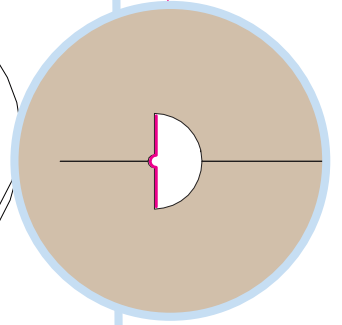
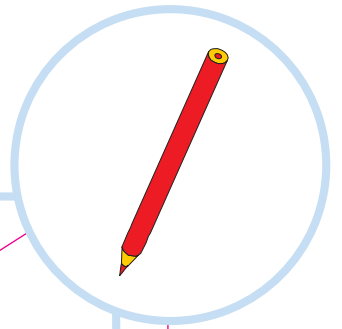
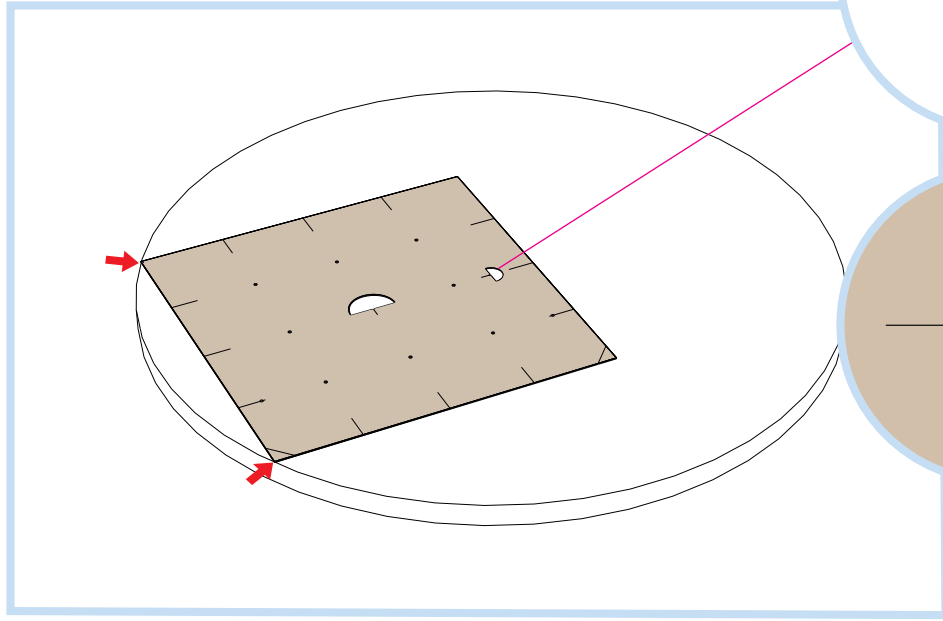
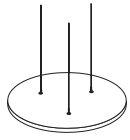


→ 18

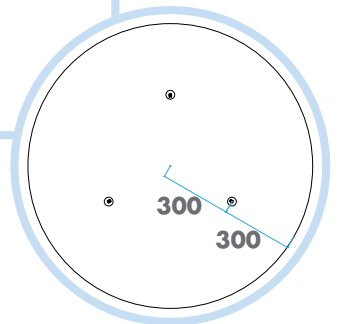
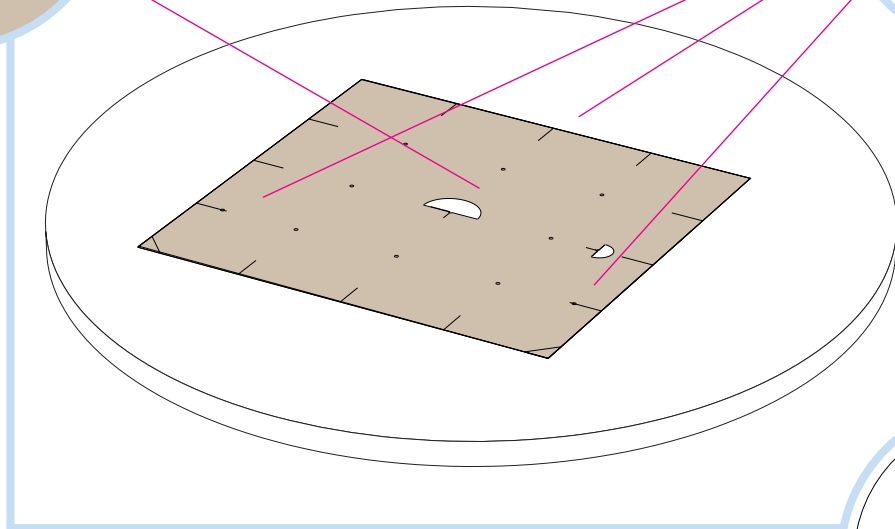
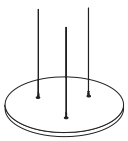
→ 24

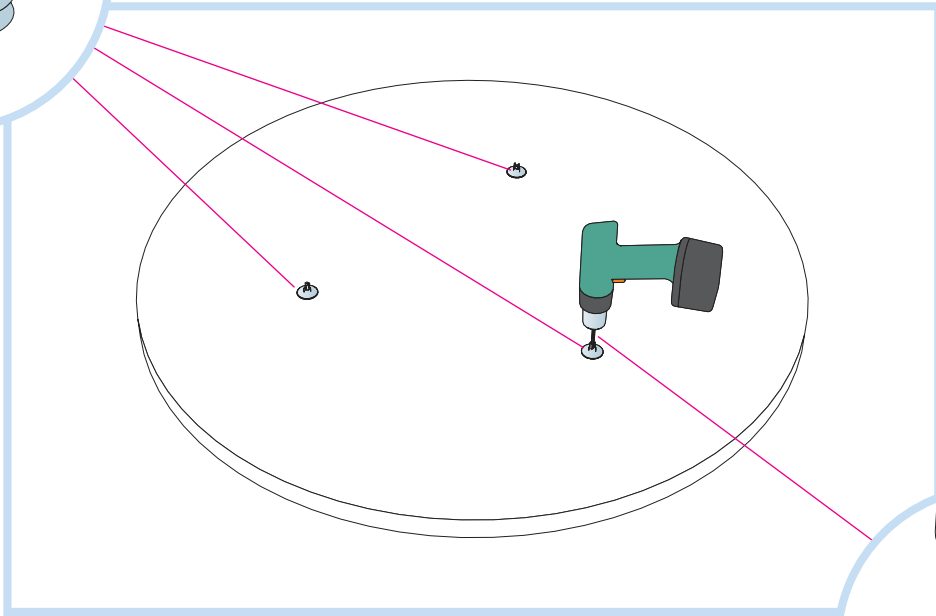
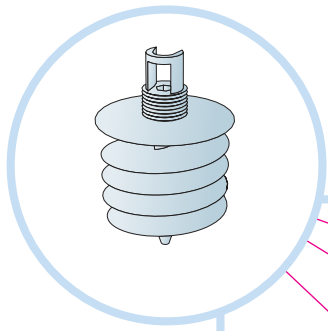


**3**

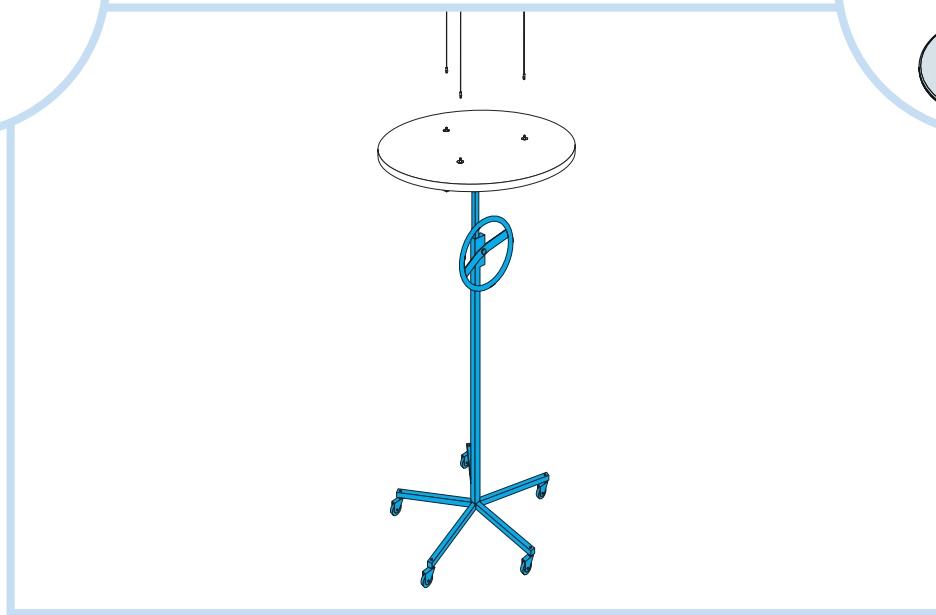
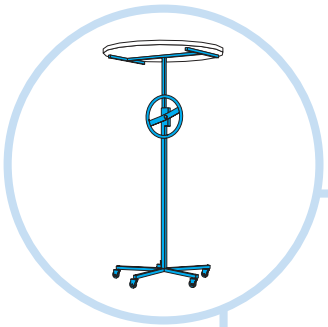
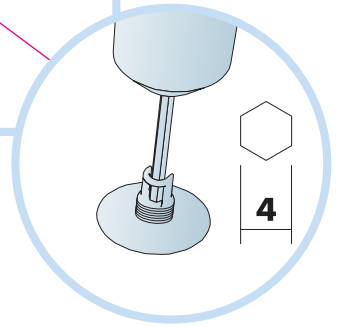
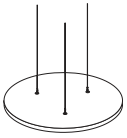


**4**

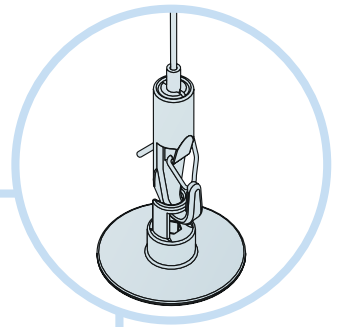
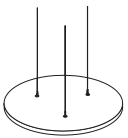


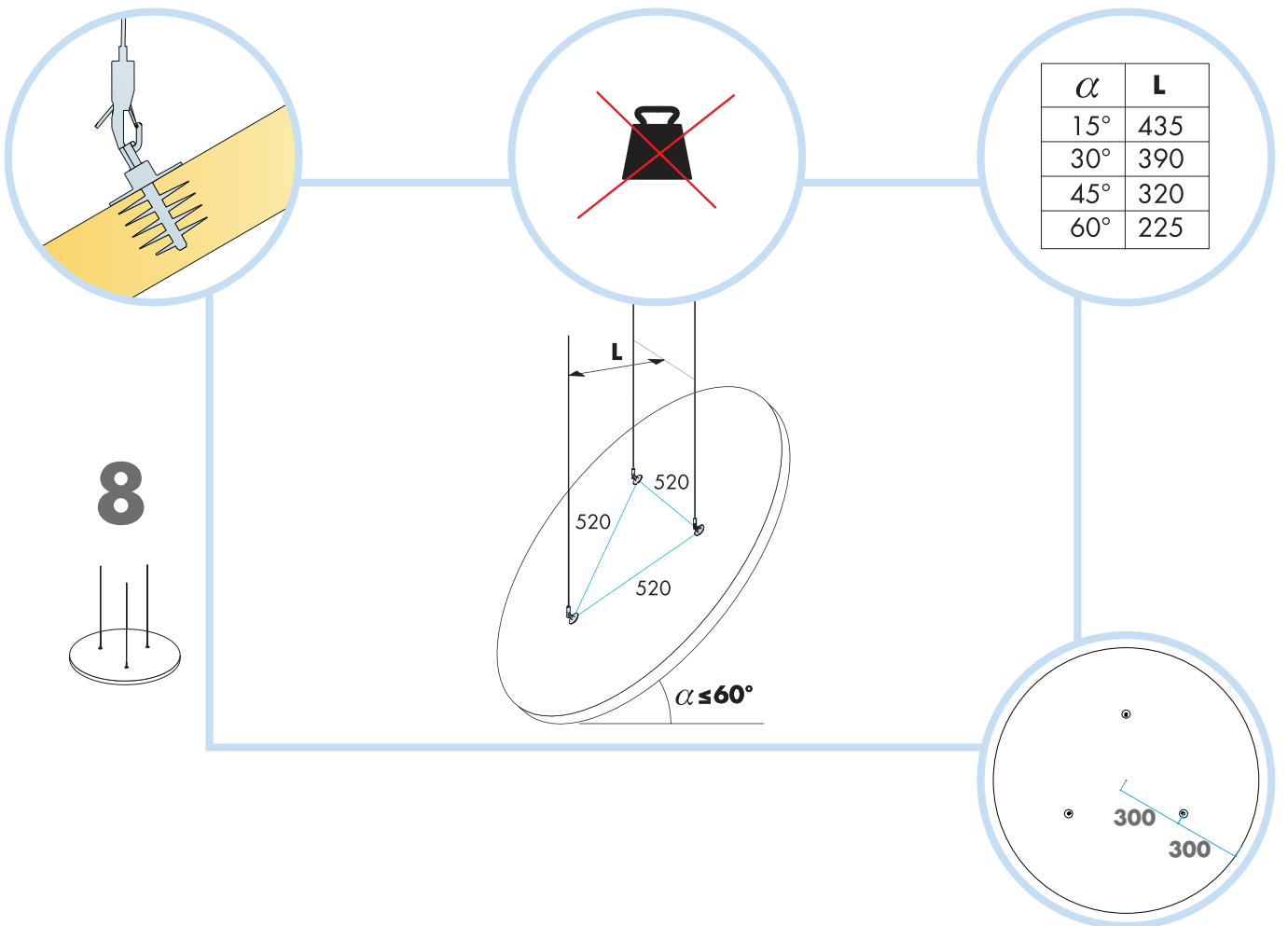
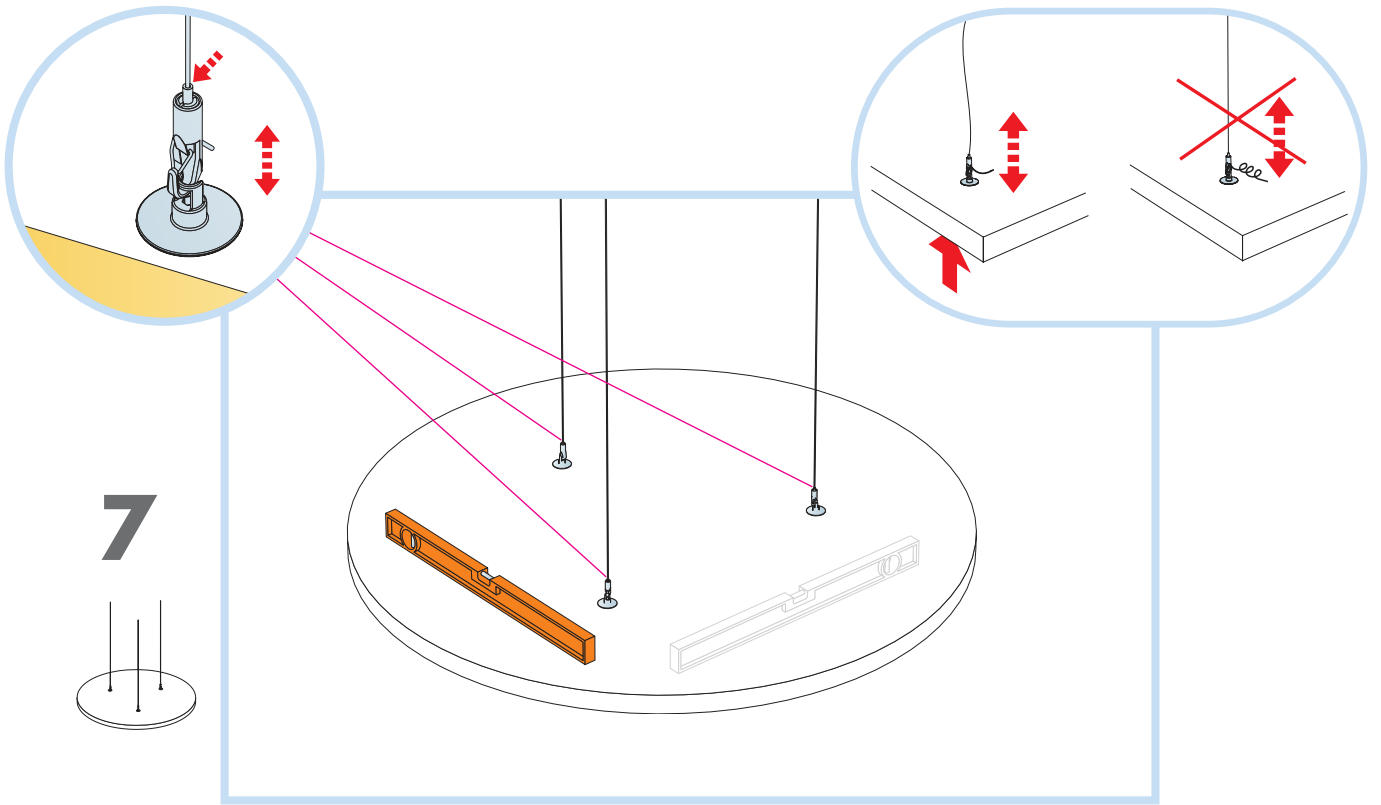


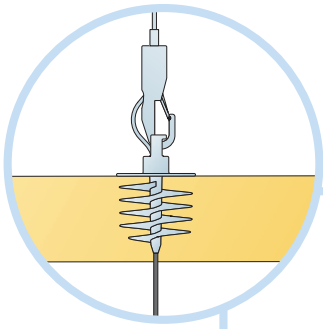
**5**



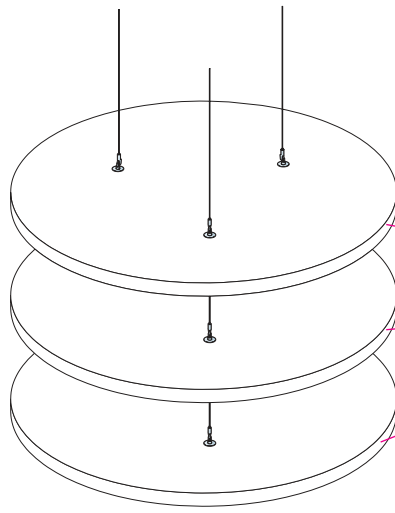
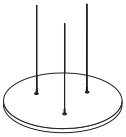
**6**



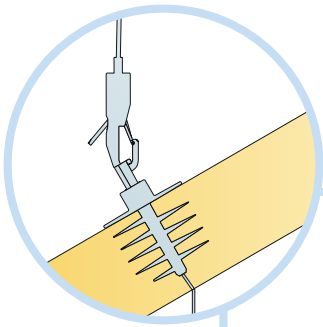




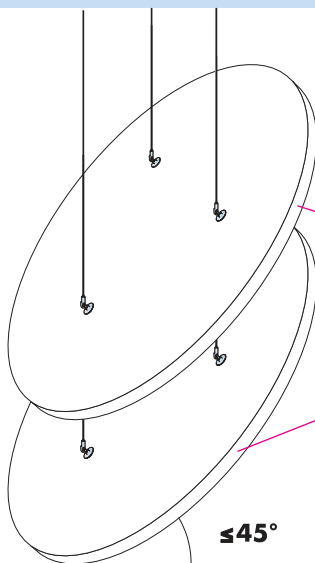
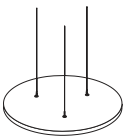
9



≤4



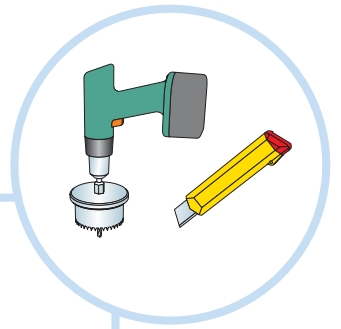
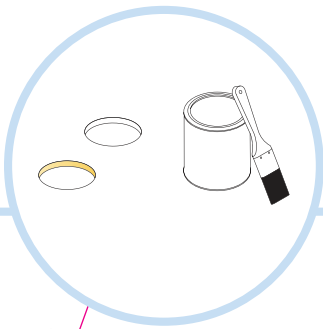
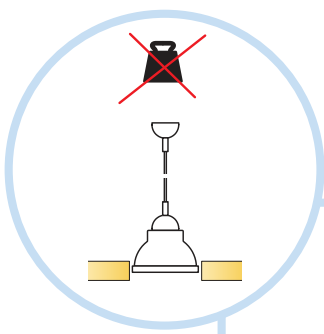
10



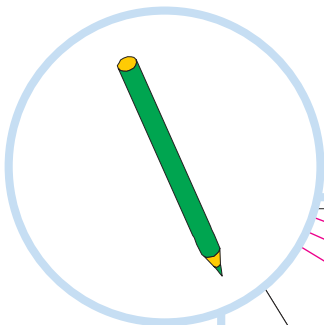
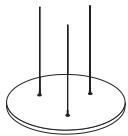
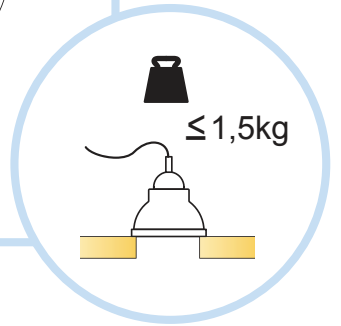
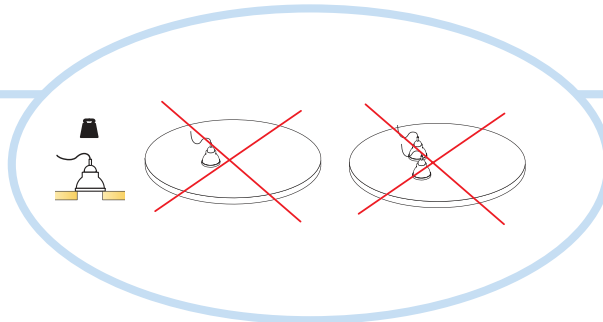
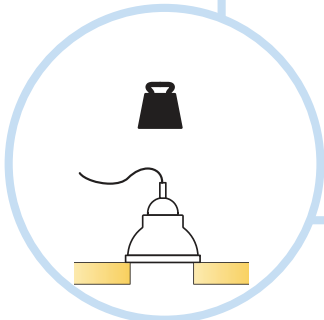
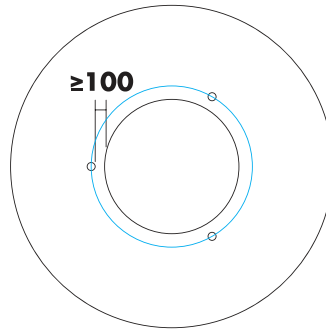
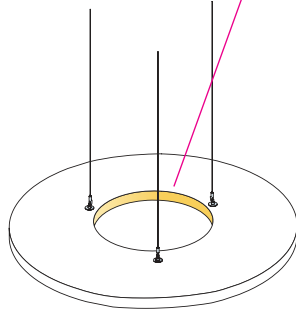
≤3

≤45°

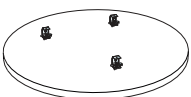
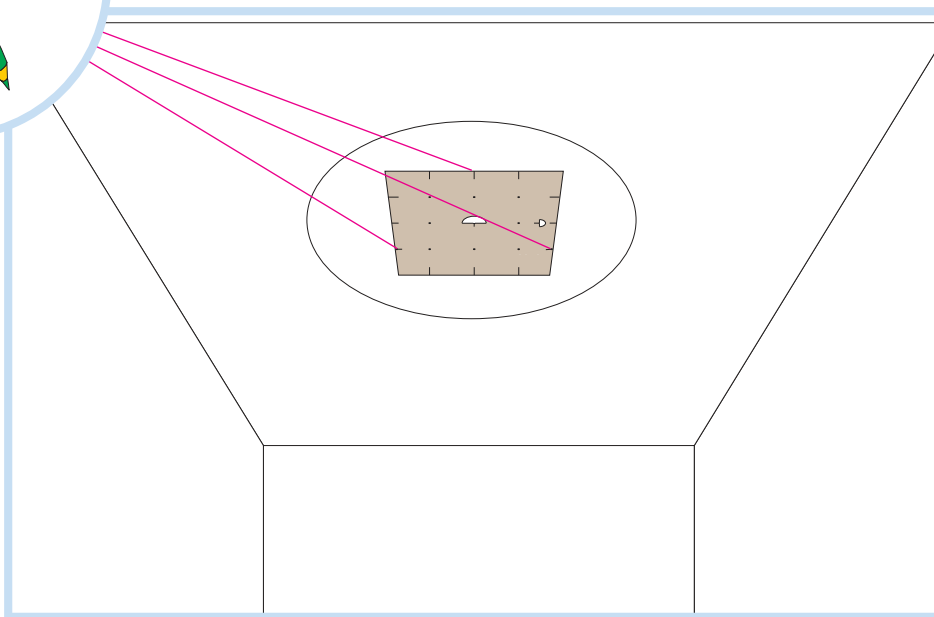


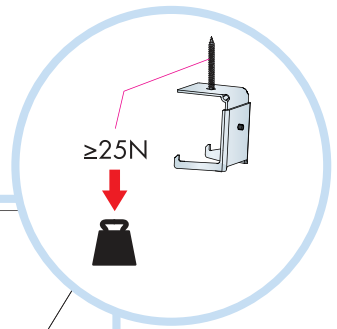
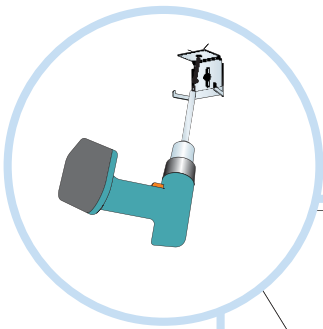


11

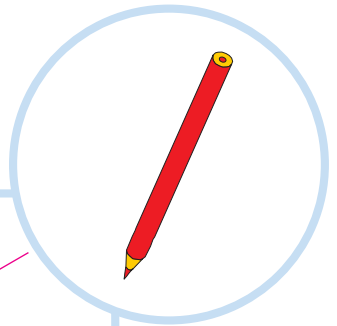
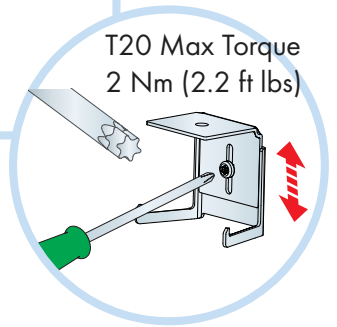
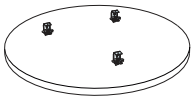
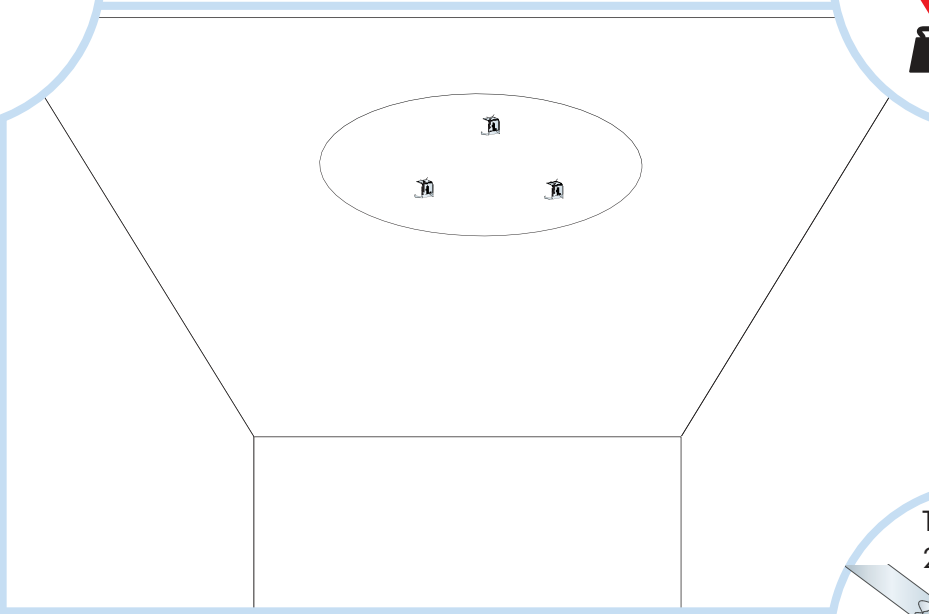


12

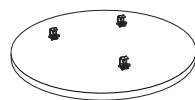
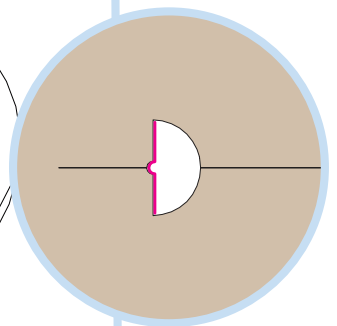
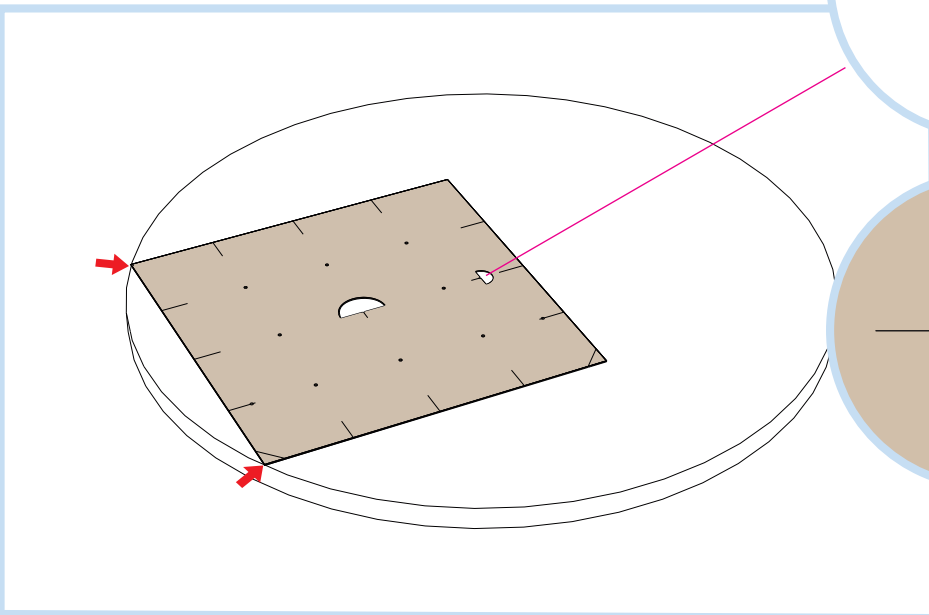


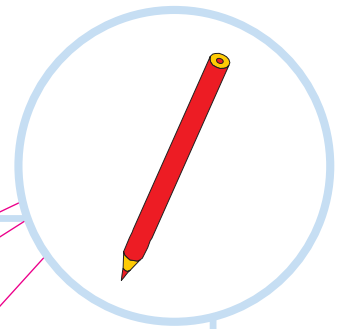
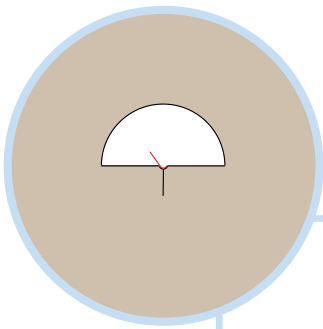


13

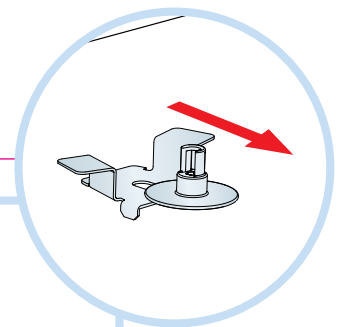
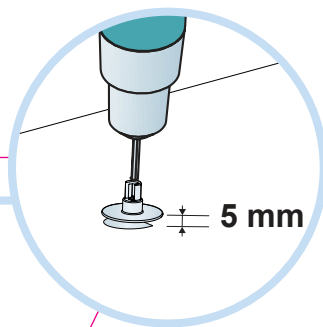
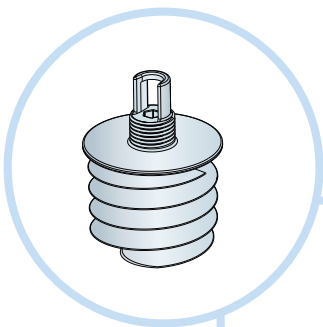
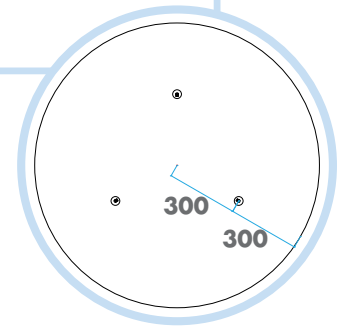
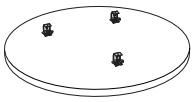
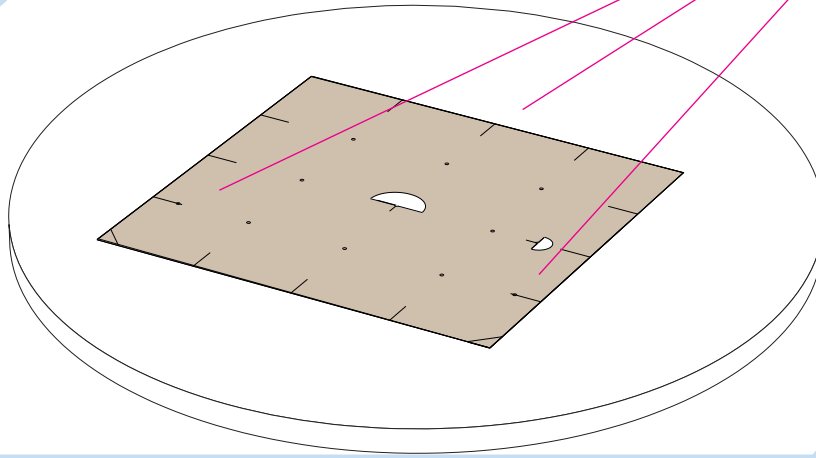


13

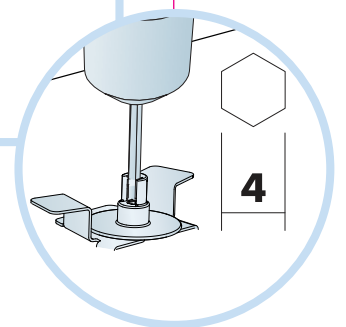
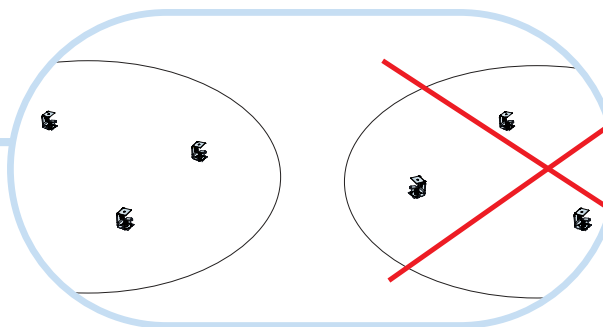
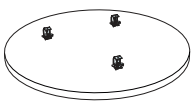
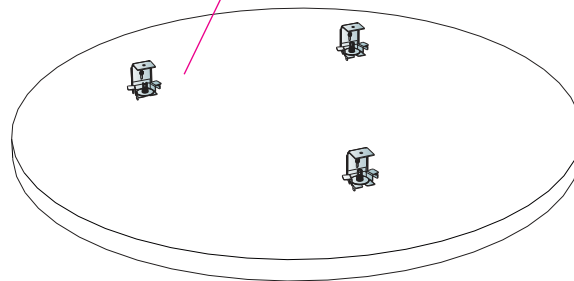


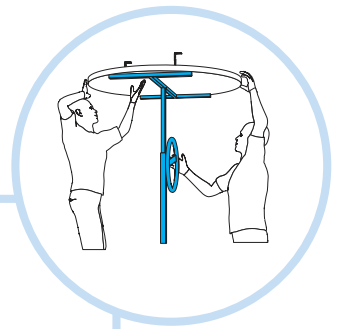
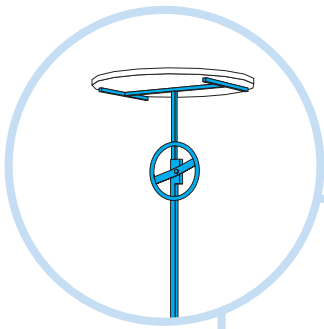


14

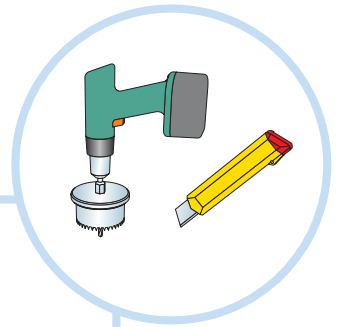
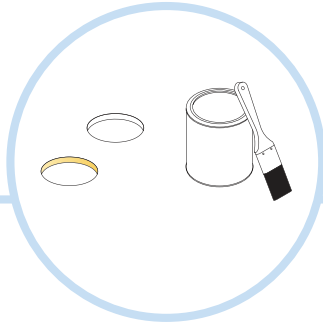
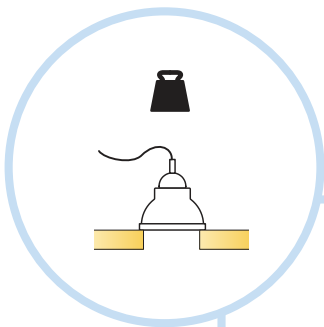
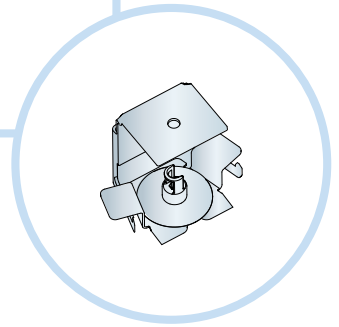
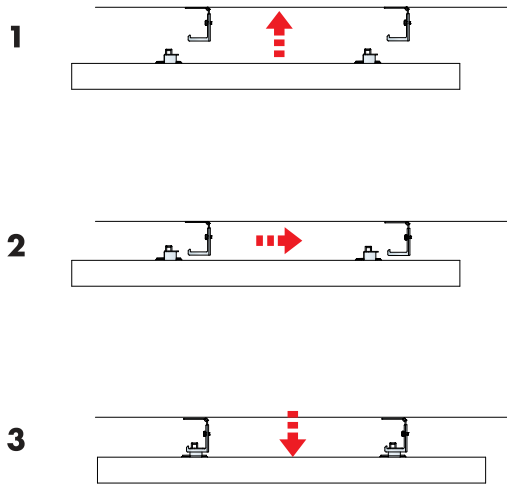


15

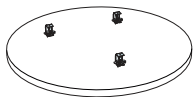
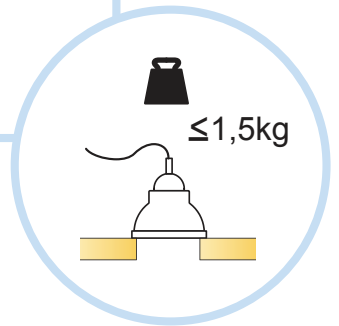
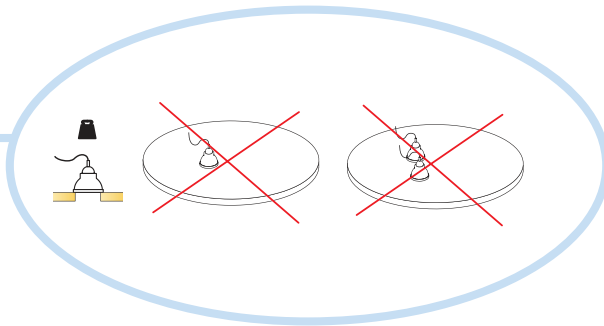
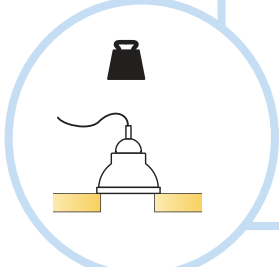
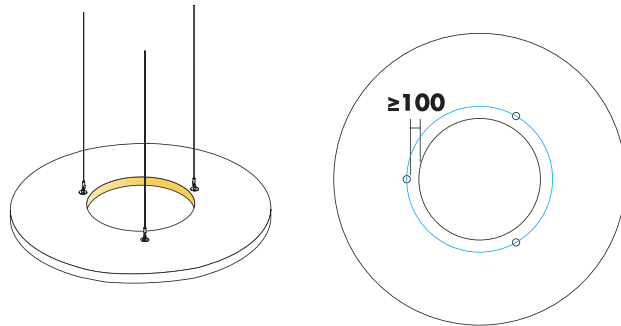


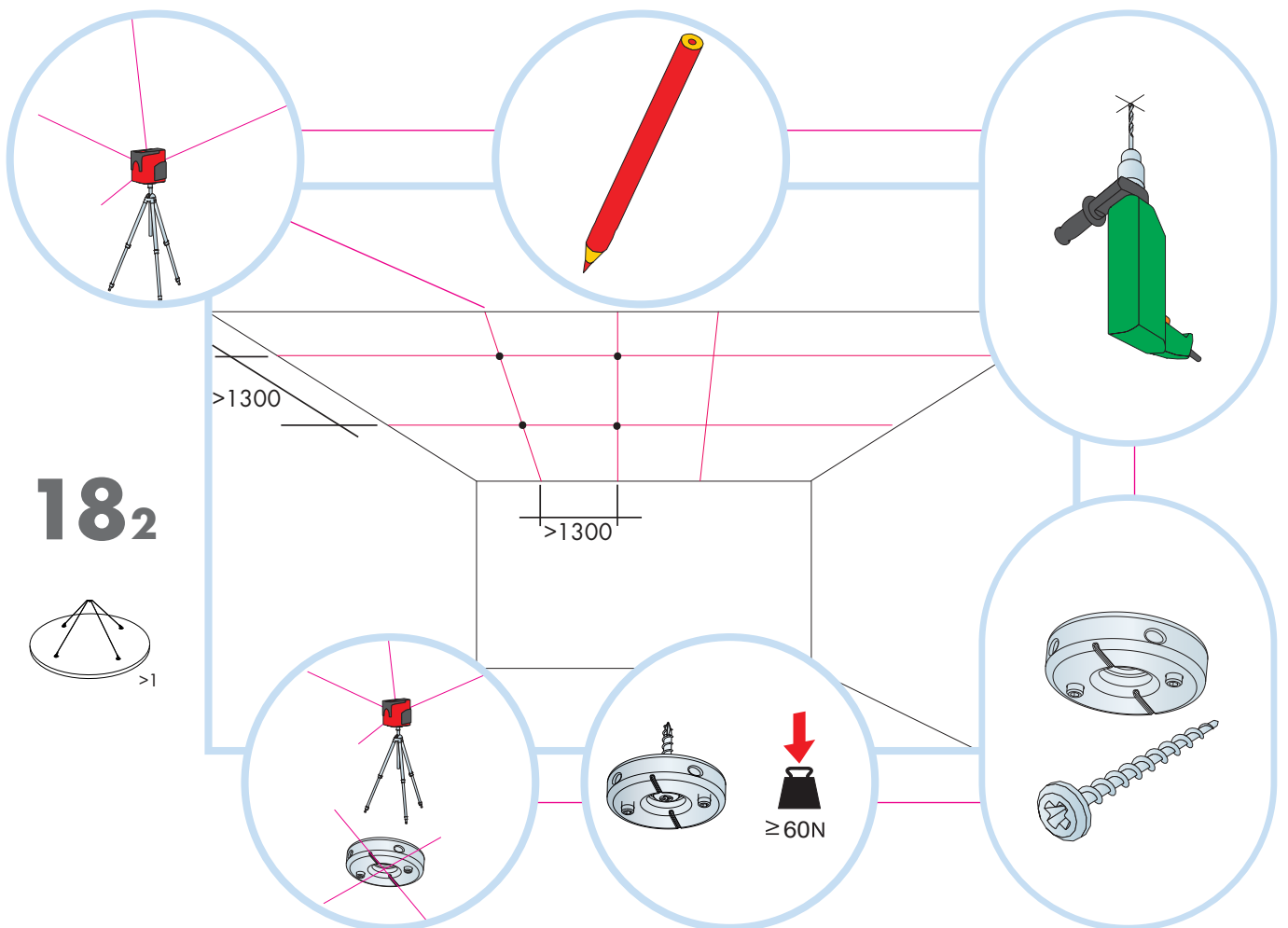
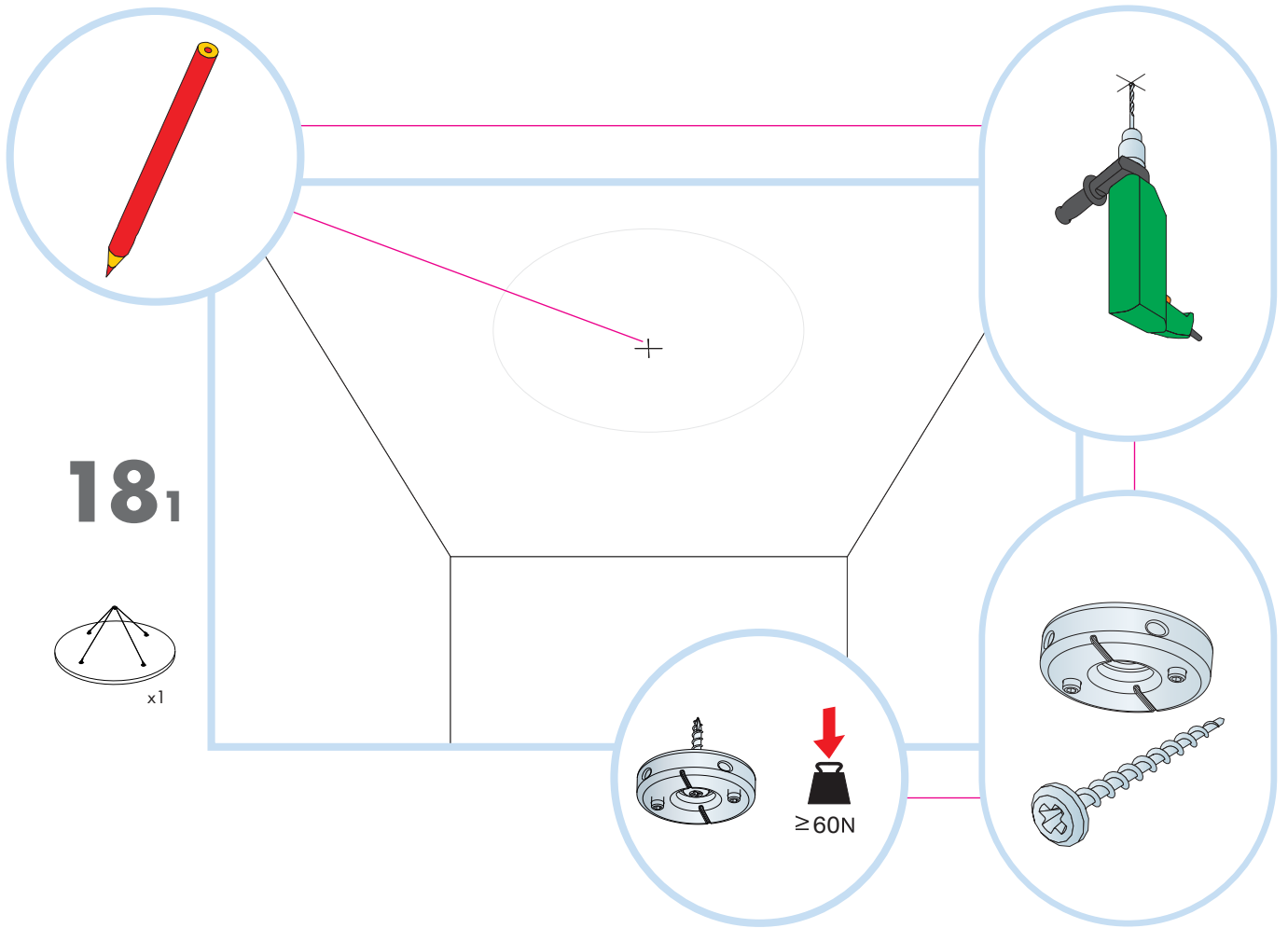


16

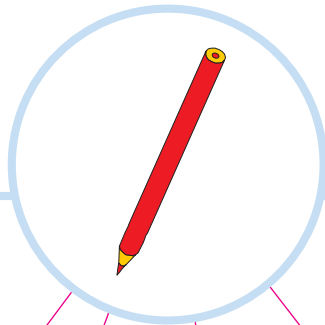
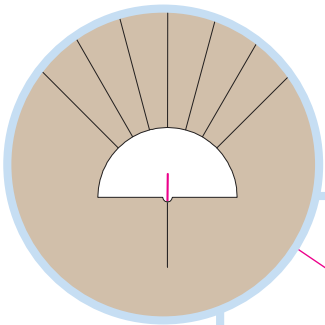
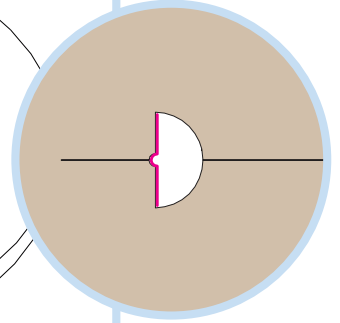
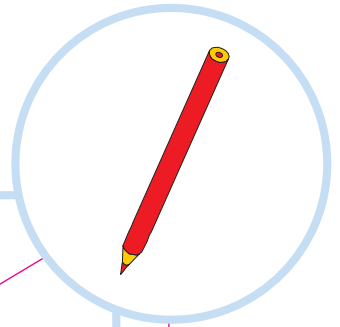
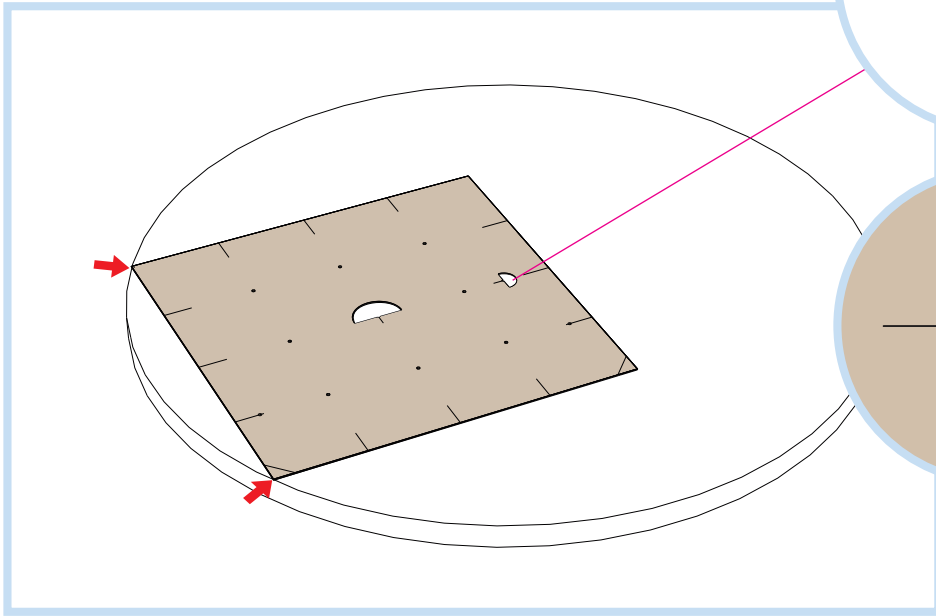
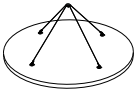


17

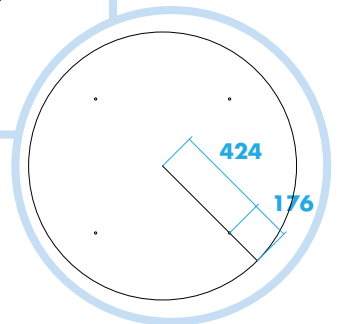
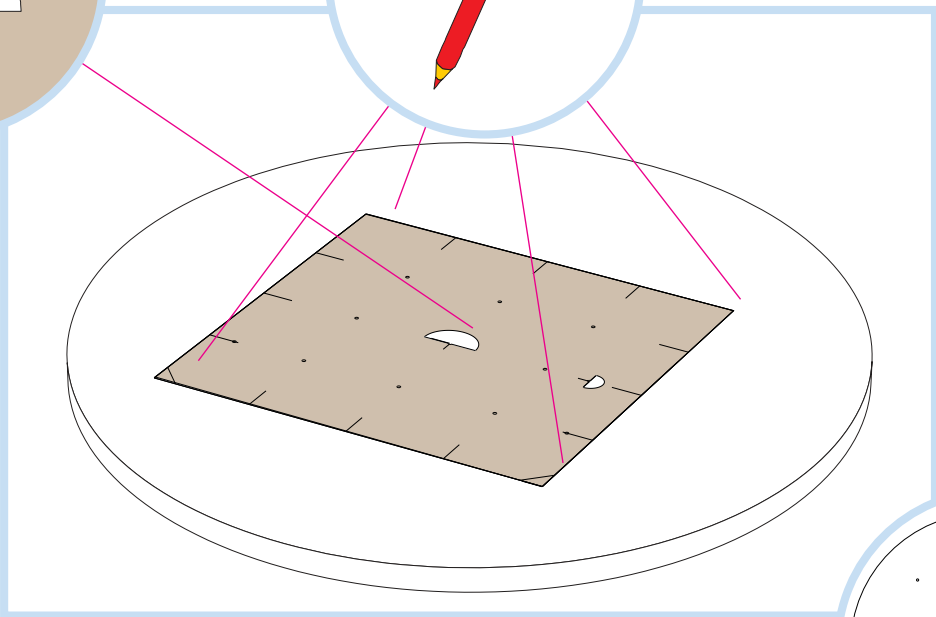
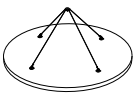




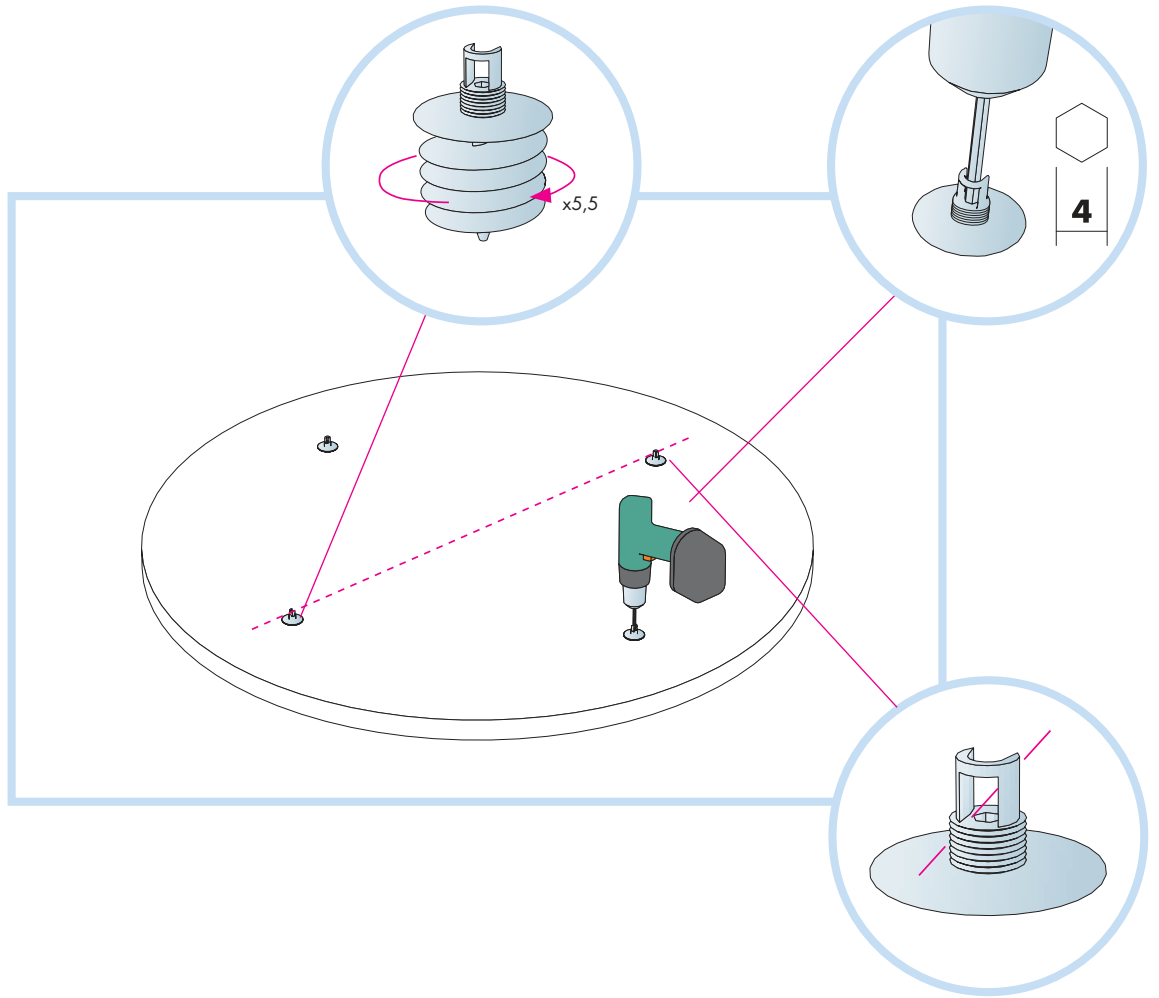
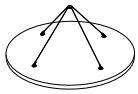
19



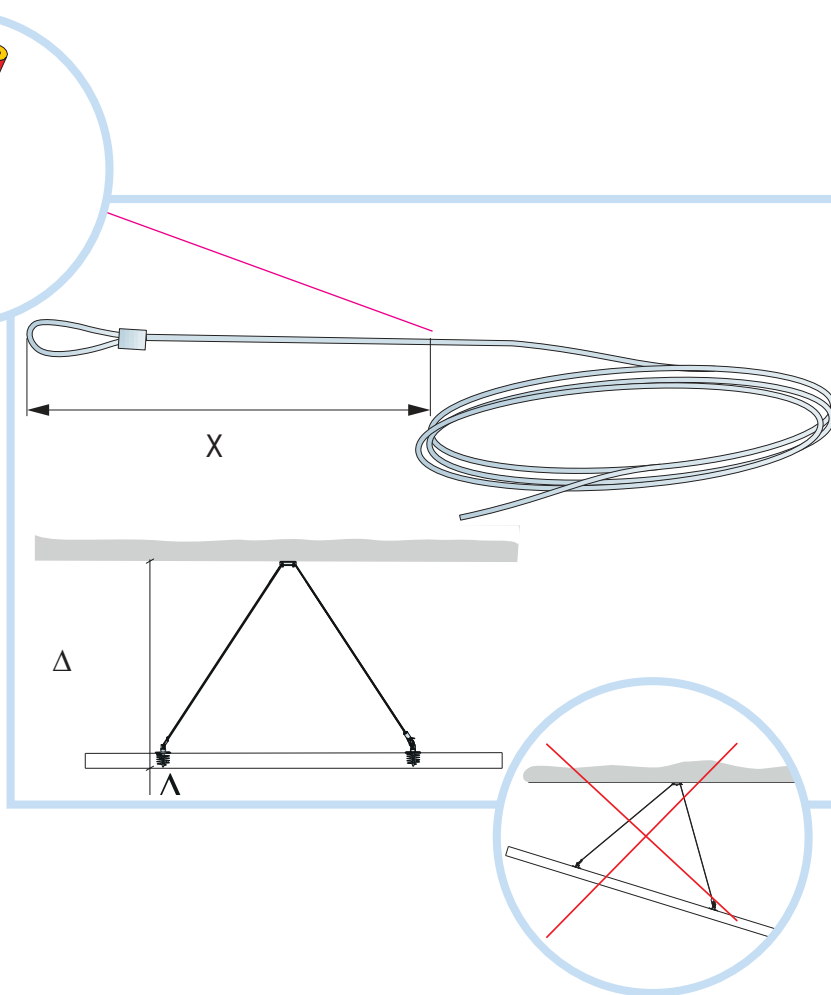
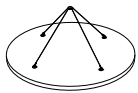
20



# 21



# 22



X	~Δ
1190	500
1270	550
1350	600
1430	650
1515	700
1595	750
1690	800
1780	850
1875	900
1965	950

