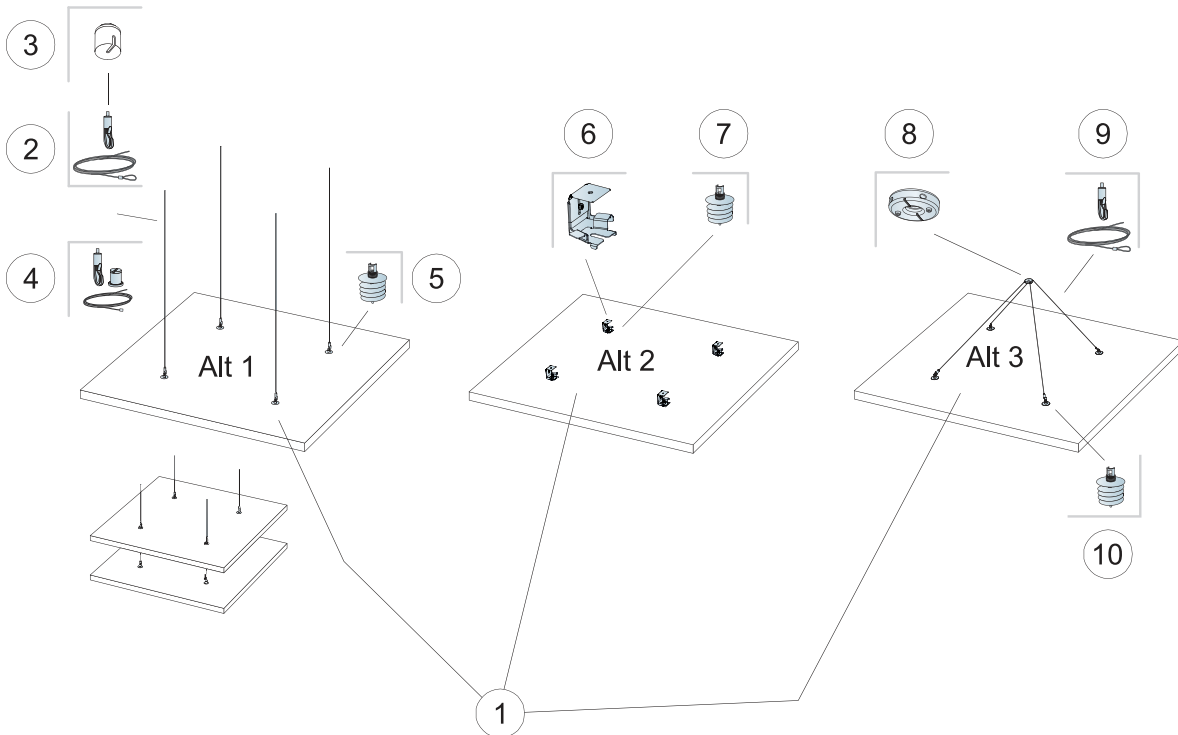
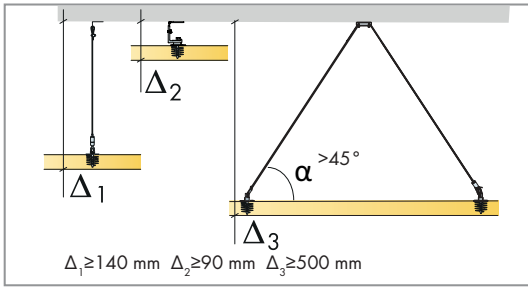


Ecophon Solo[™] Square

1200x1200
M402



1. Ecophon Solo Square 1200x1200

2. Connect Adjustable wire hanger
L=2000/5000 mm

3. Connect Covering Cup

4. Connect Adjustable wire kit
L=800/1500 mm

5. Connect Absorber anchor

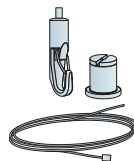
6. Connect Absorber bracket,
 $\Delta=90-110, 110-130$

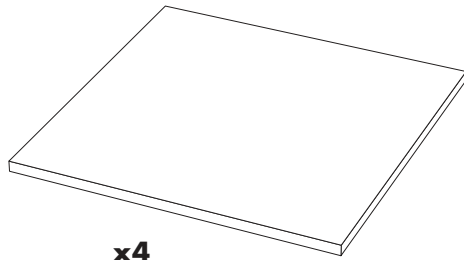
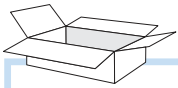
7. Connect Absorber anchor

8. Connect One-point fixing

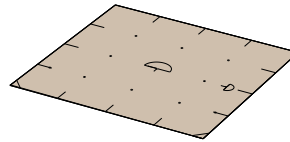
9. Connect Adjustable wire hanger
L=2000 mm

10. Connect Absorber anchor





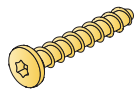
x4



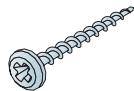
x1



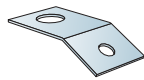
Connect Anchor screw with eye



Connect Anchor screw



Connect Installation screw MWL



Connect Fixing plate



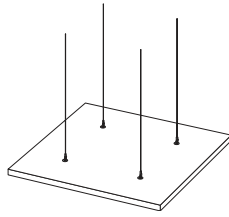
Connect Absorber anchor bit

Ecophon[®]
SAINT-GOBAIN

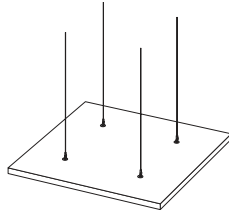
A SOUND EFFECT ON PEOPLE

www.ecophon.com

Alt 1

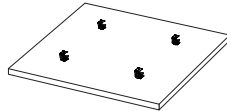


→ 1

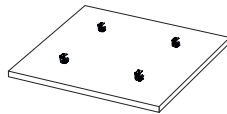


→ 11

Alt 2

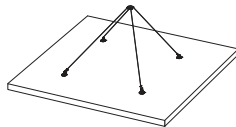


→ 12

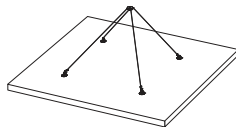


→ 18

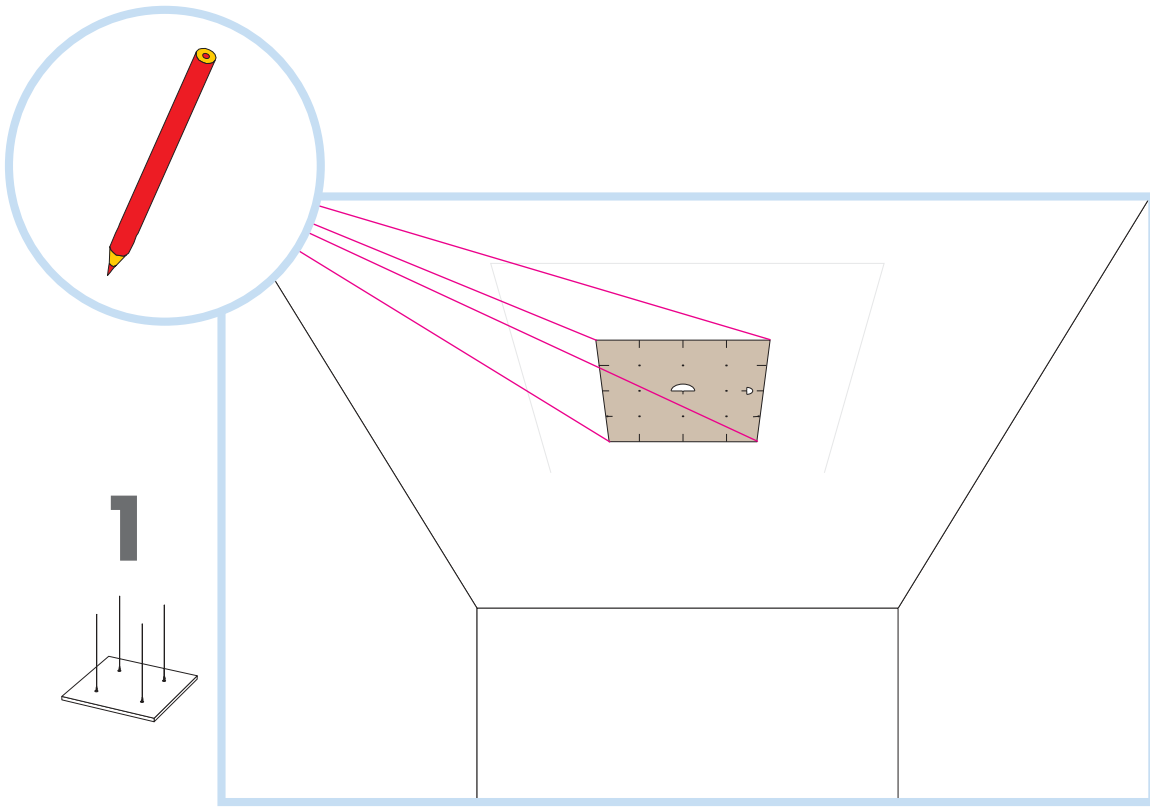
Alt 3



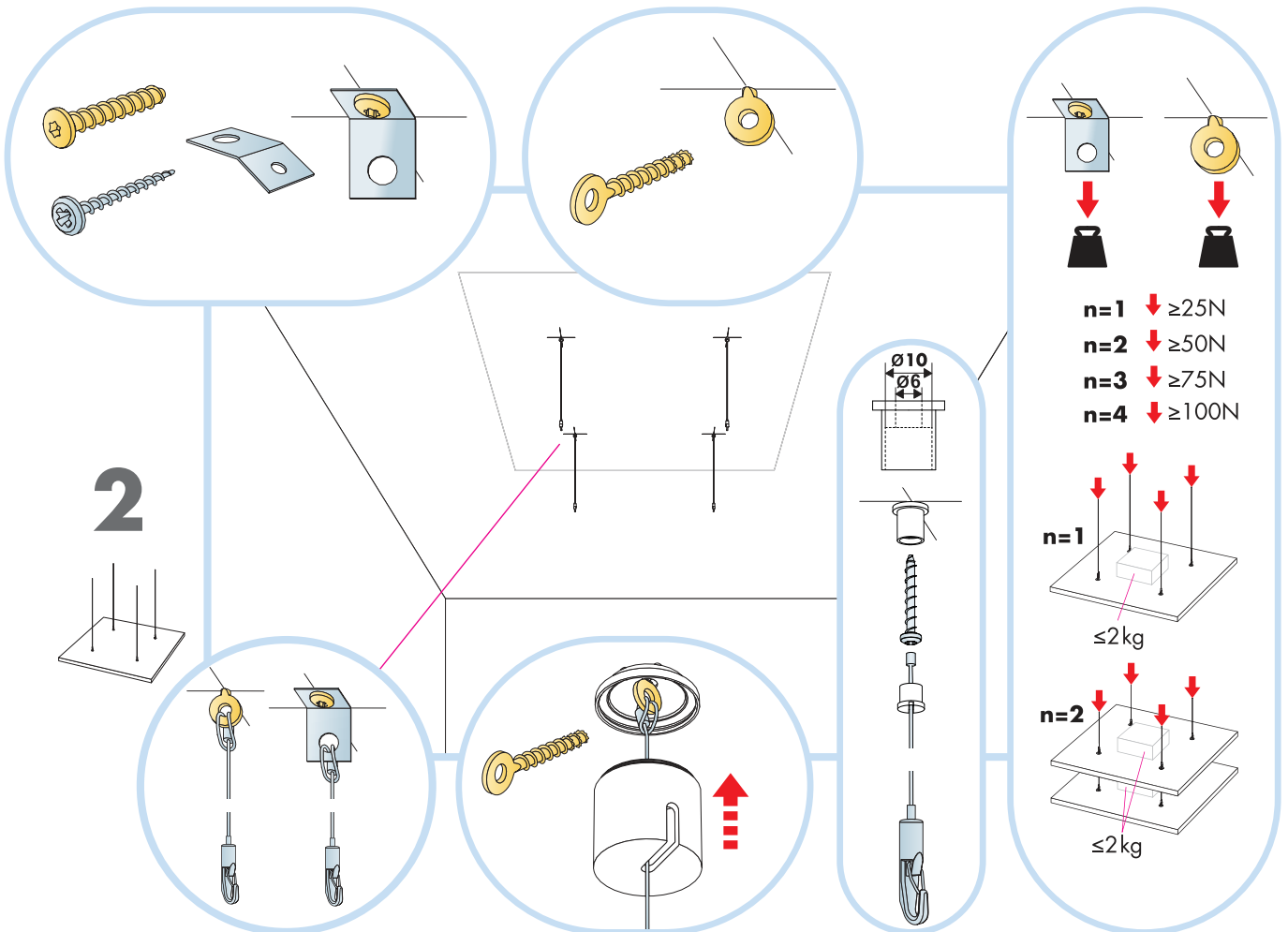
→ 19



→ 26

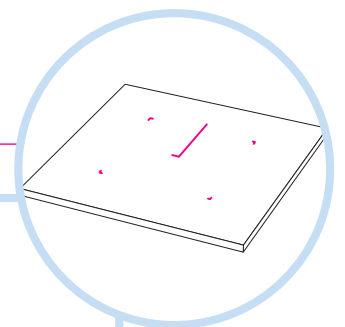
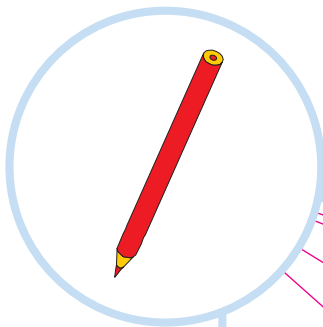
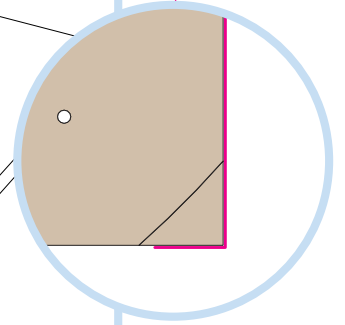
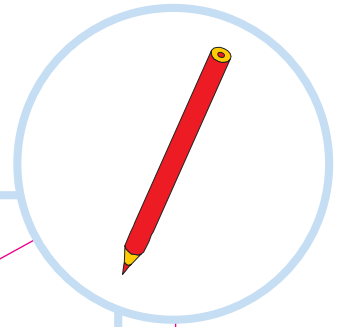
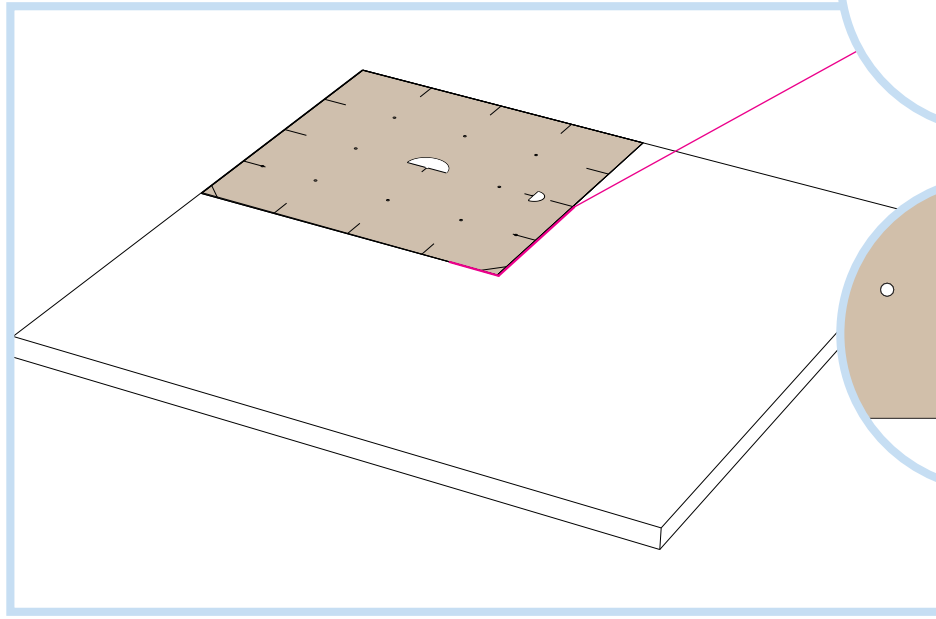



1

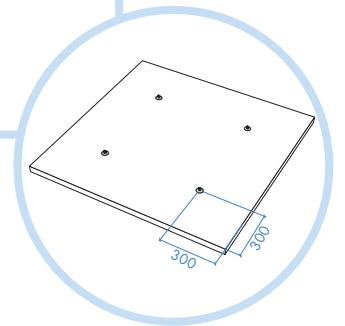
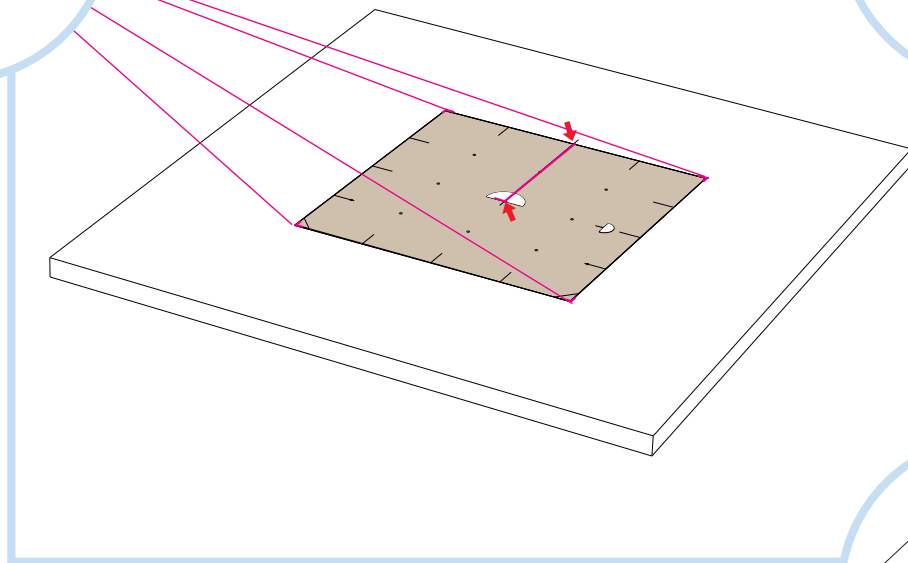
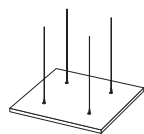


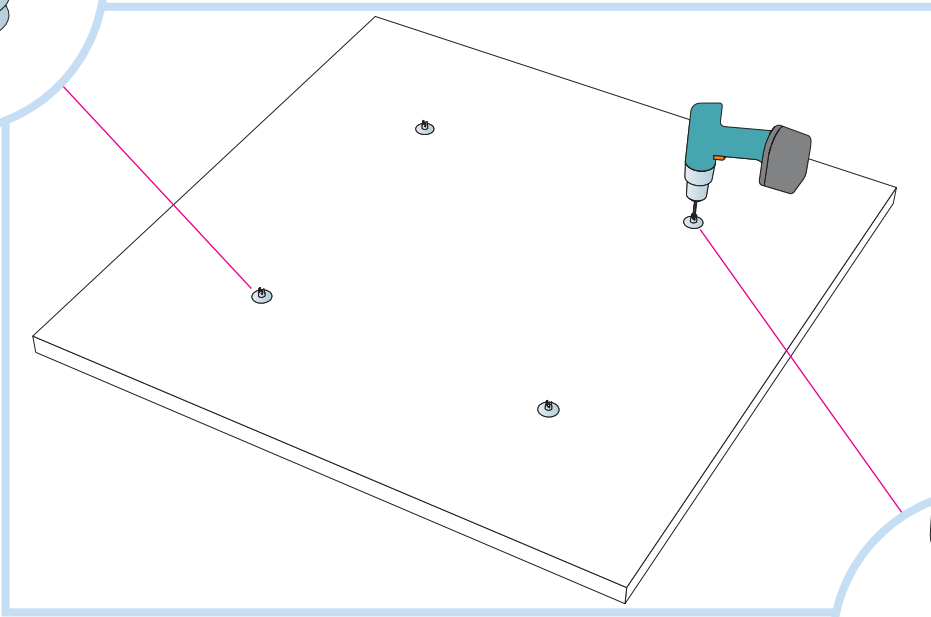
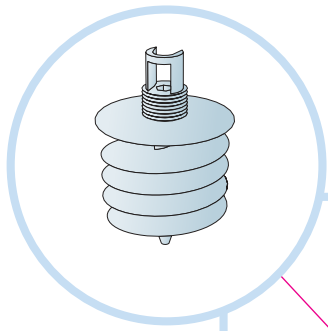
2

3

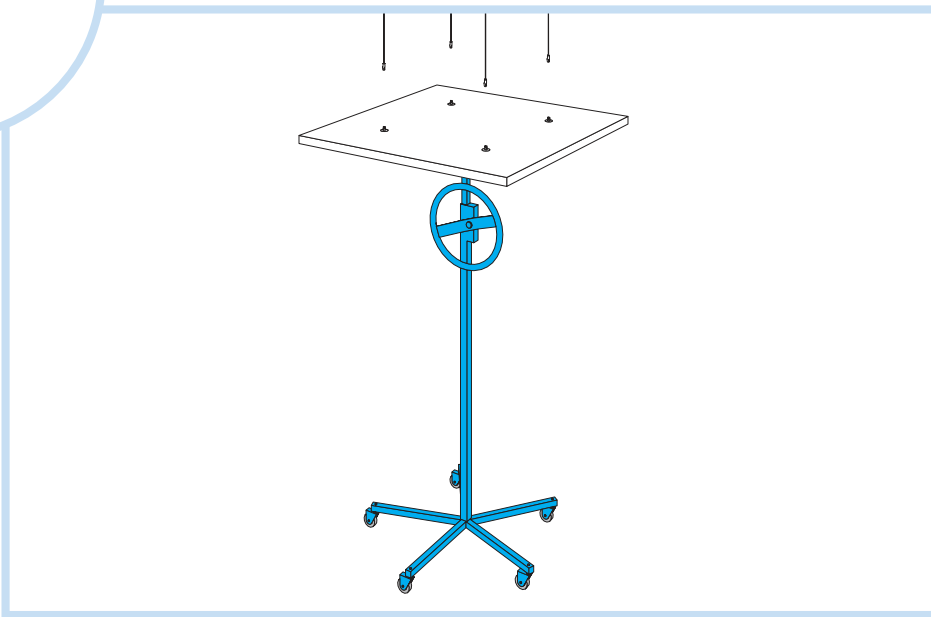
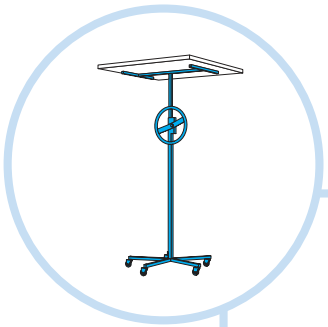
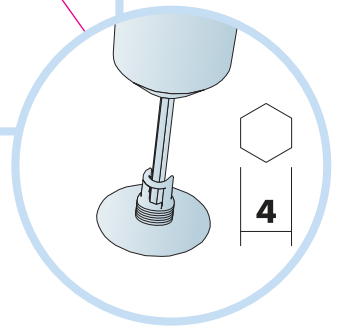


4

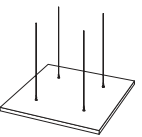


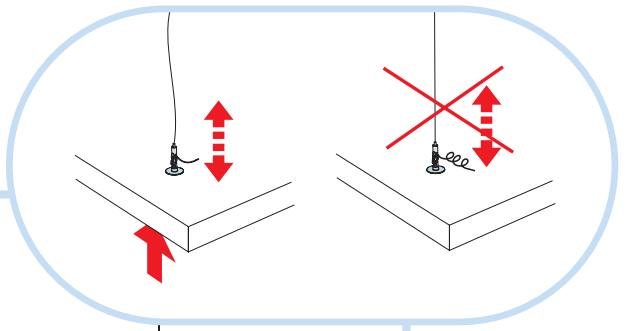
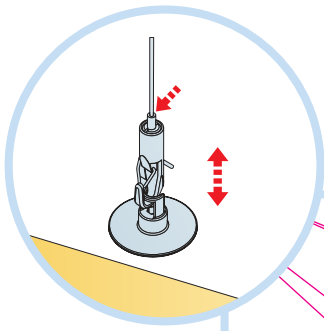


5

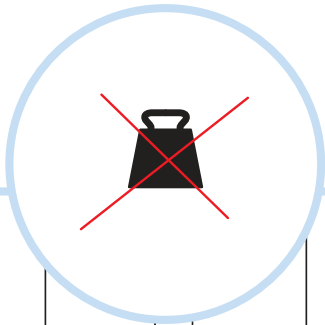
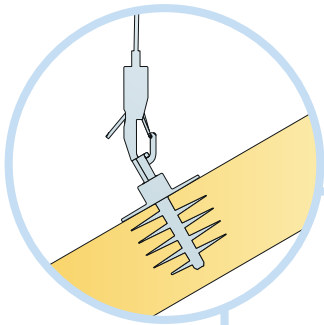
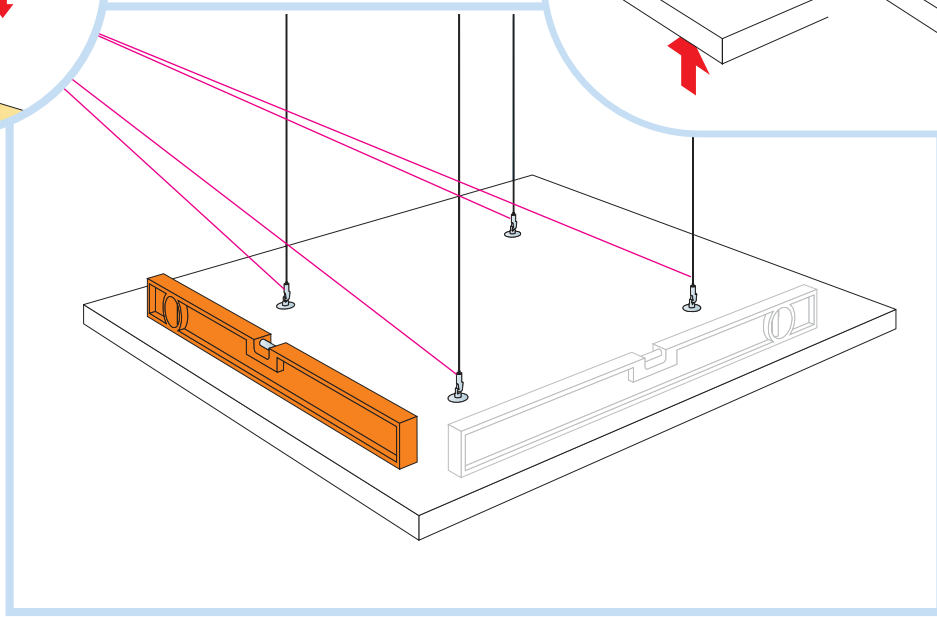
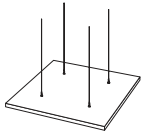


6



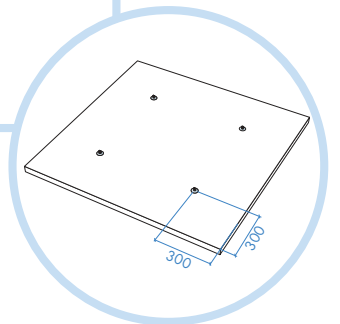
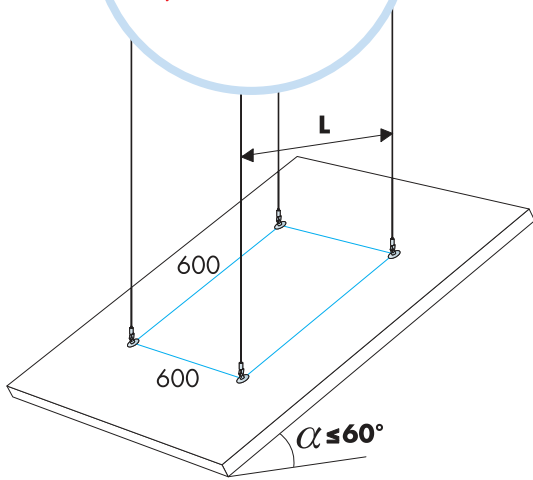
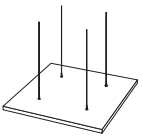


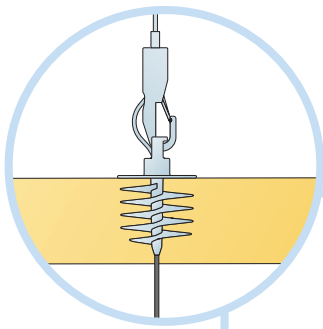
7



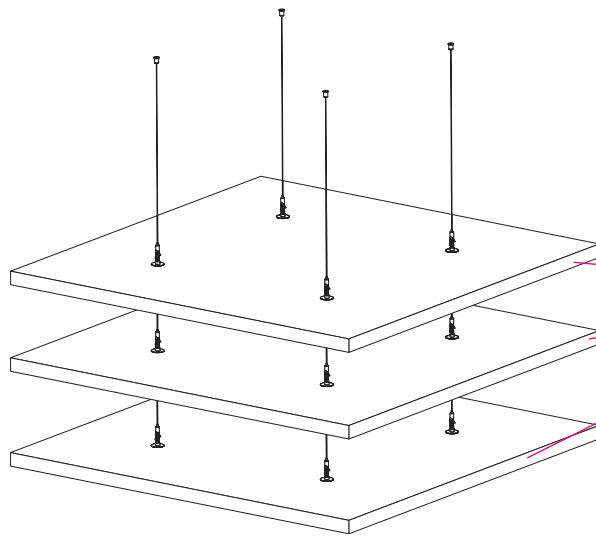
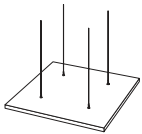
α	L
15°	580
30°	520
45°	425
60°	300

8

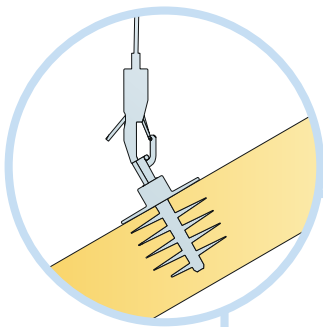




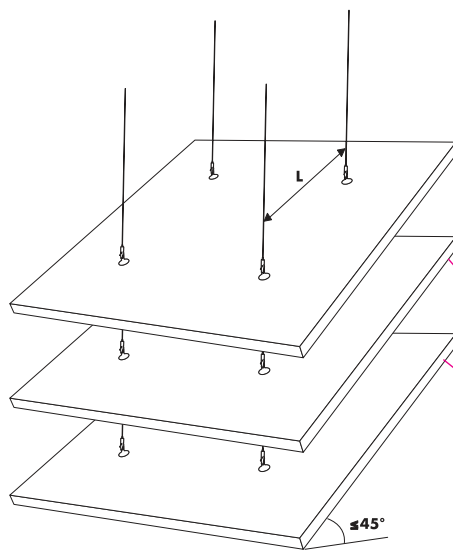
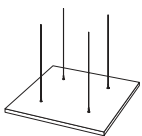
9



≤4



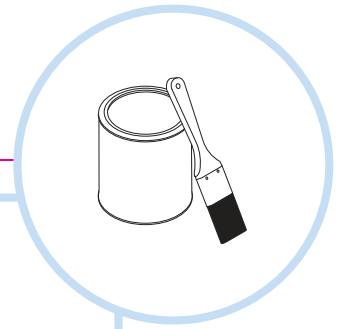
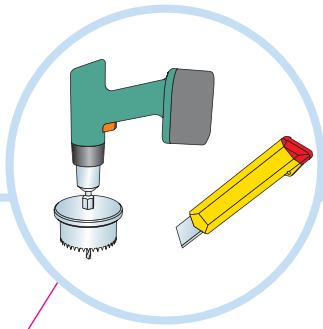
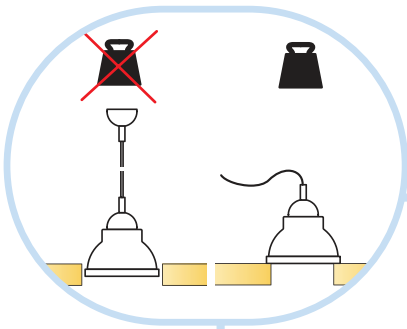
10



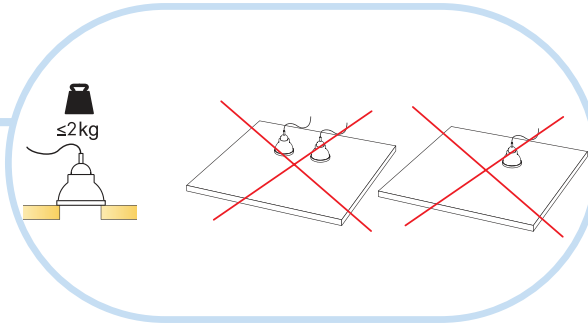
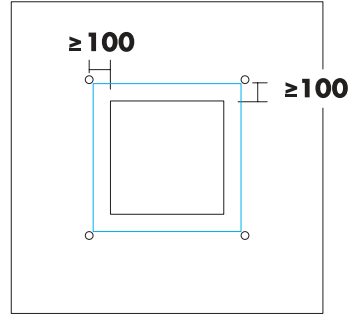
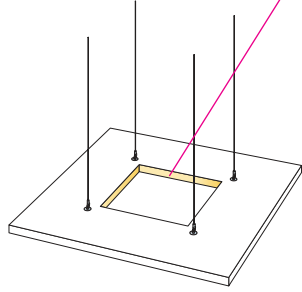
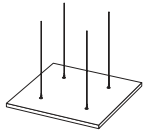
α	L
15°	580
30°	520
45°	425

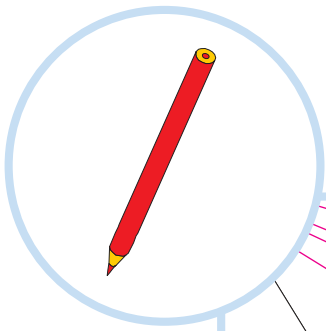


≤3

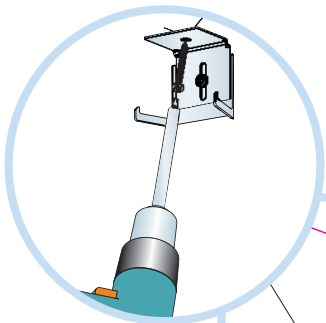
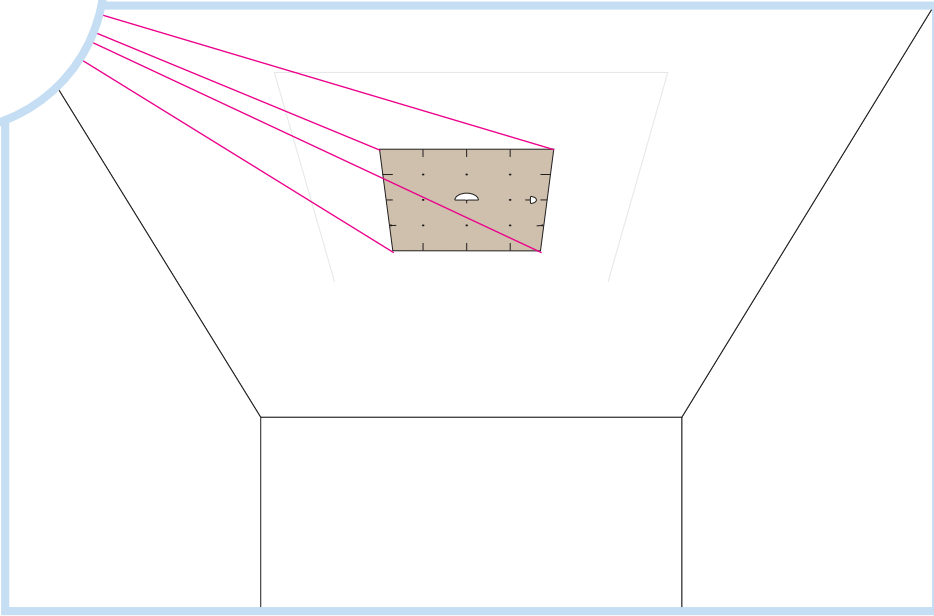
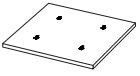


11

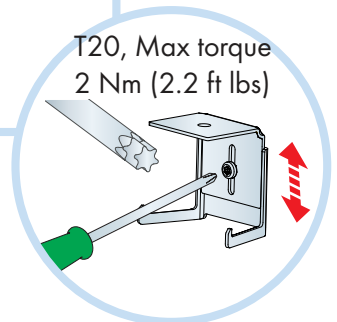
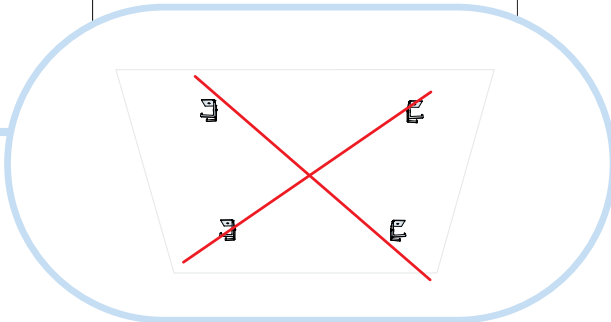
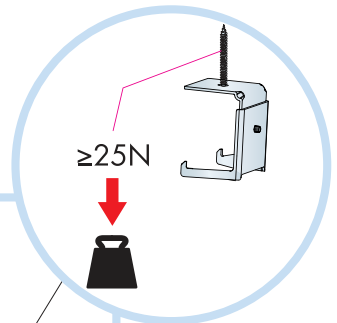
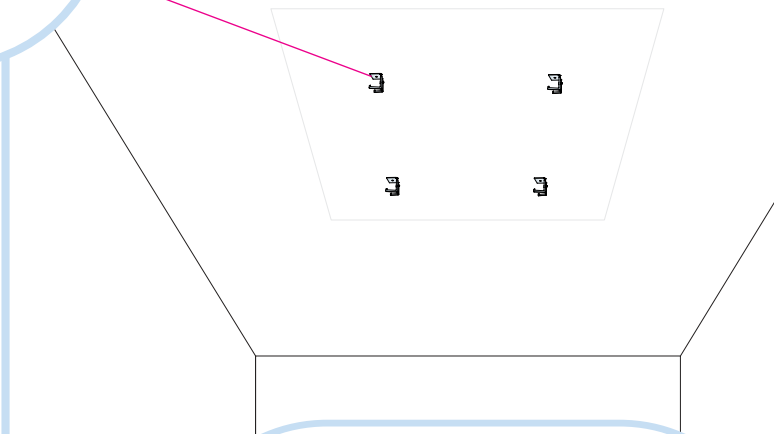
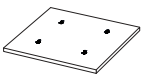




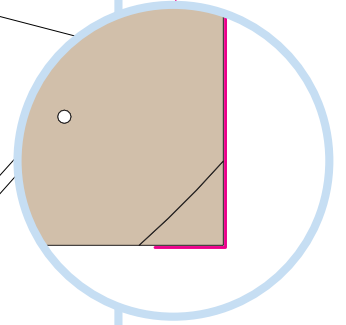
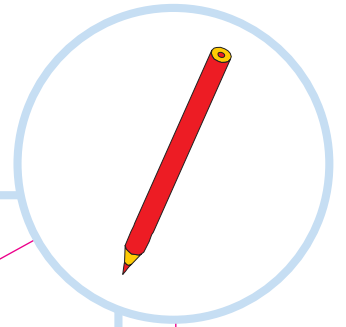
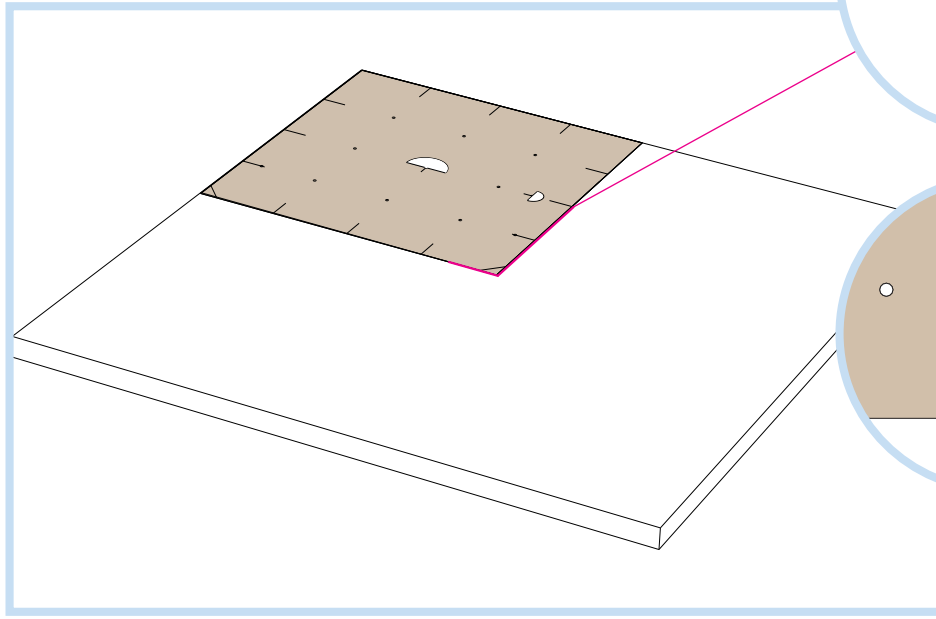
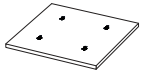
12



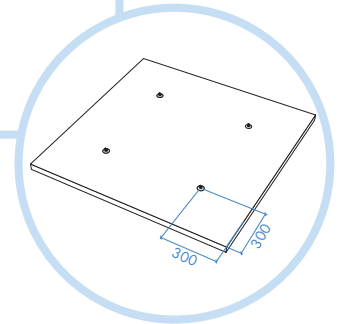
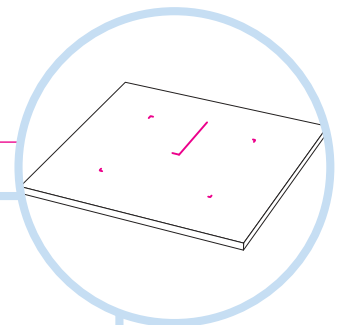
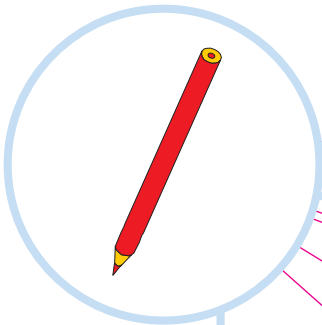
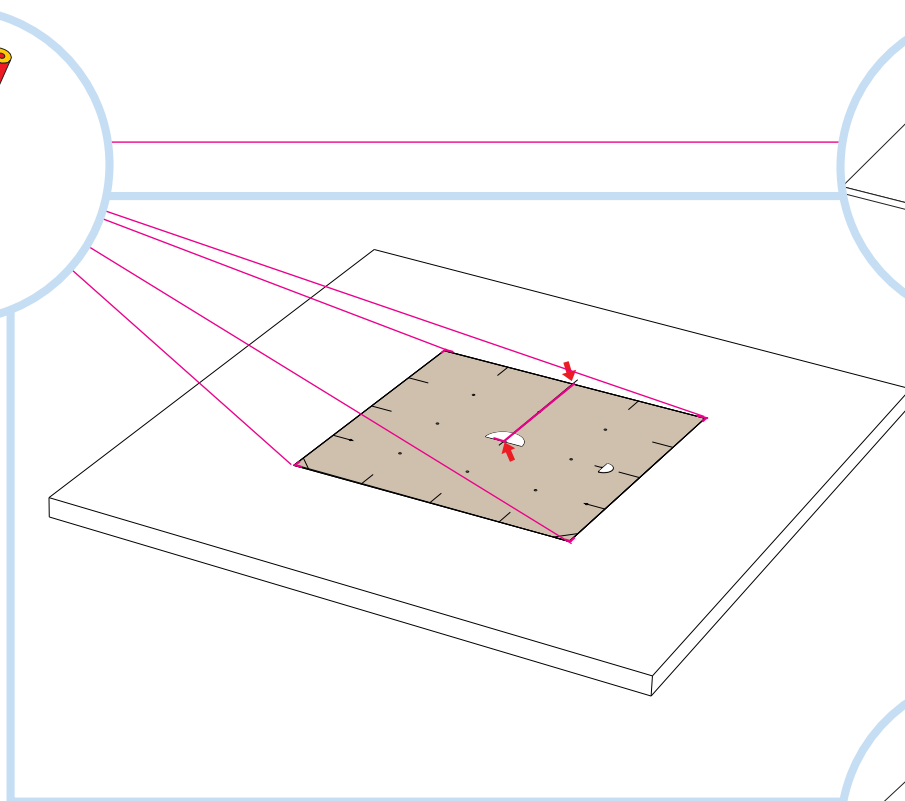
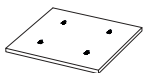
13

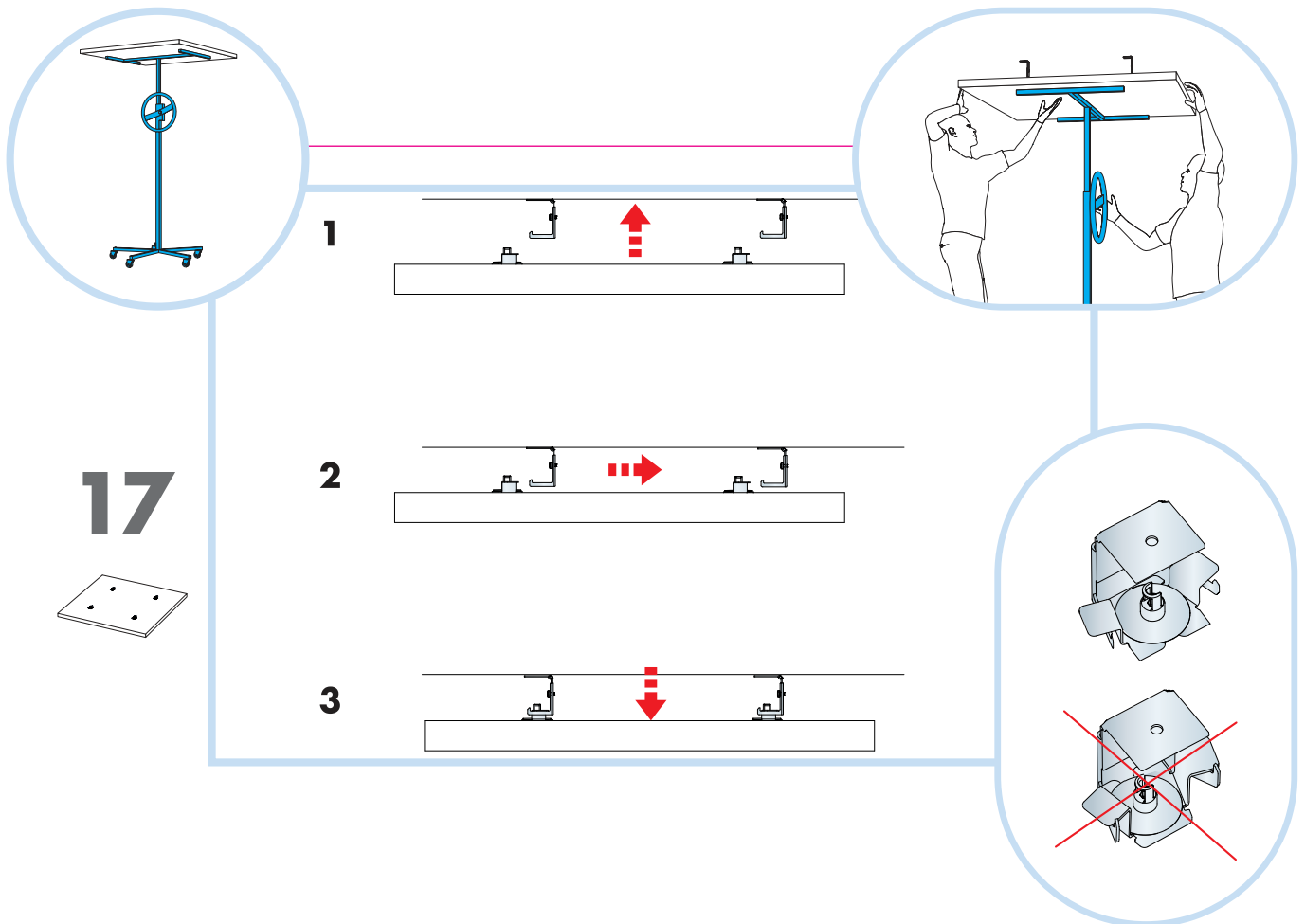
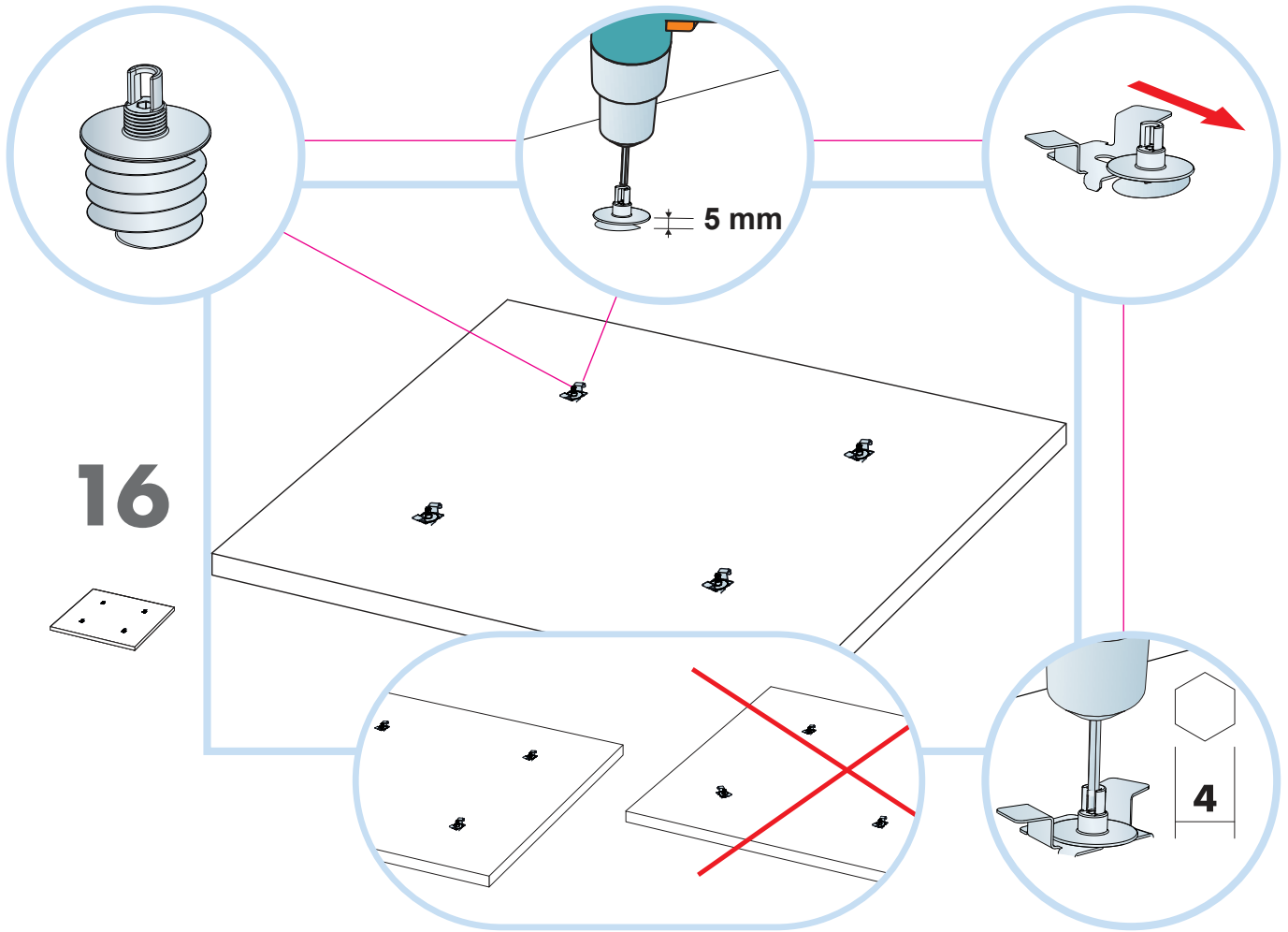


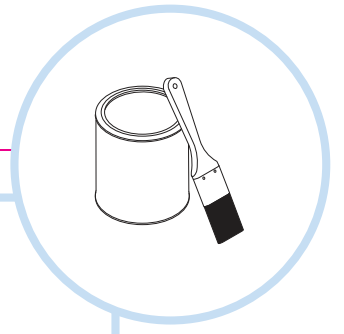
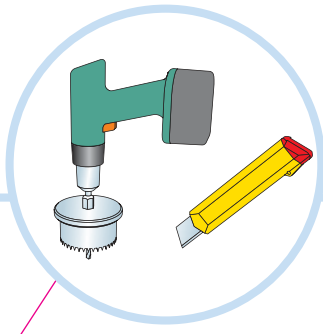
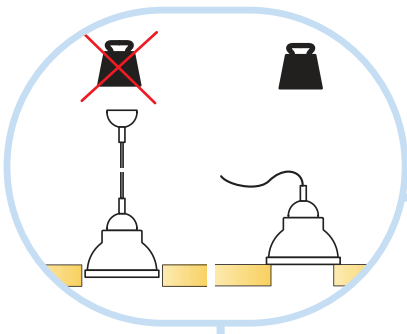
14



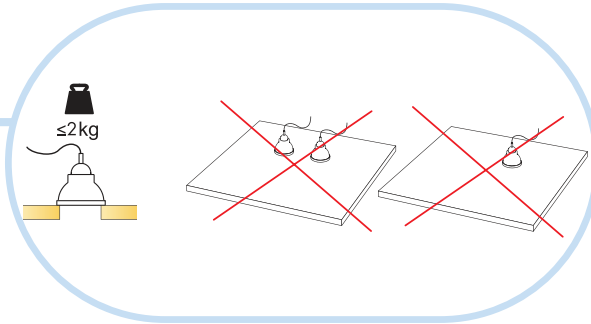
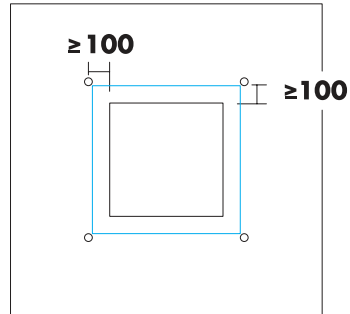
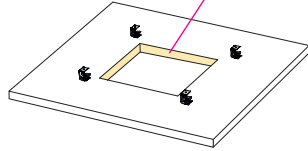
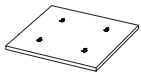
15

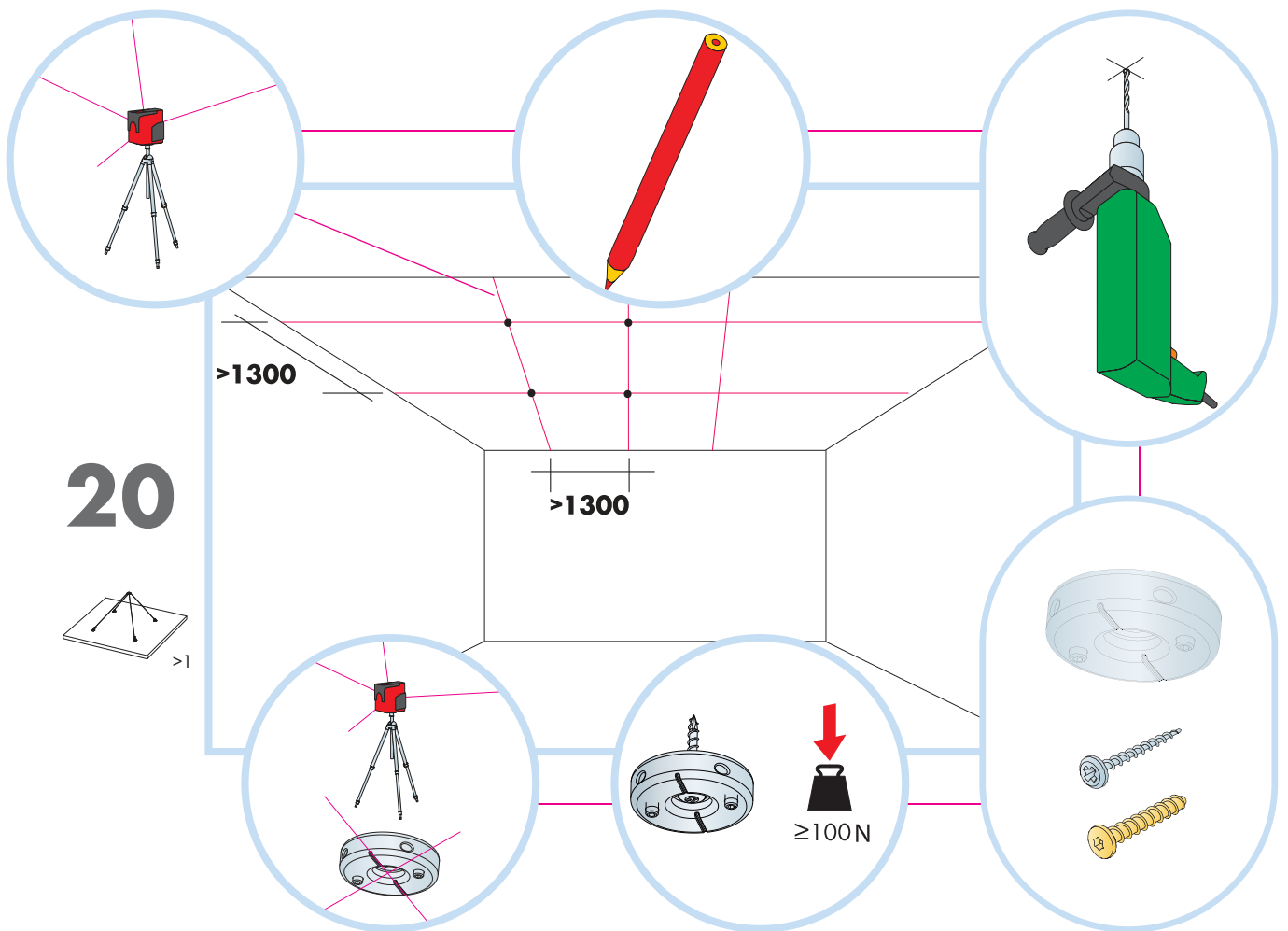
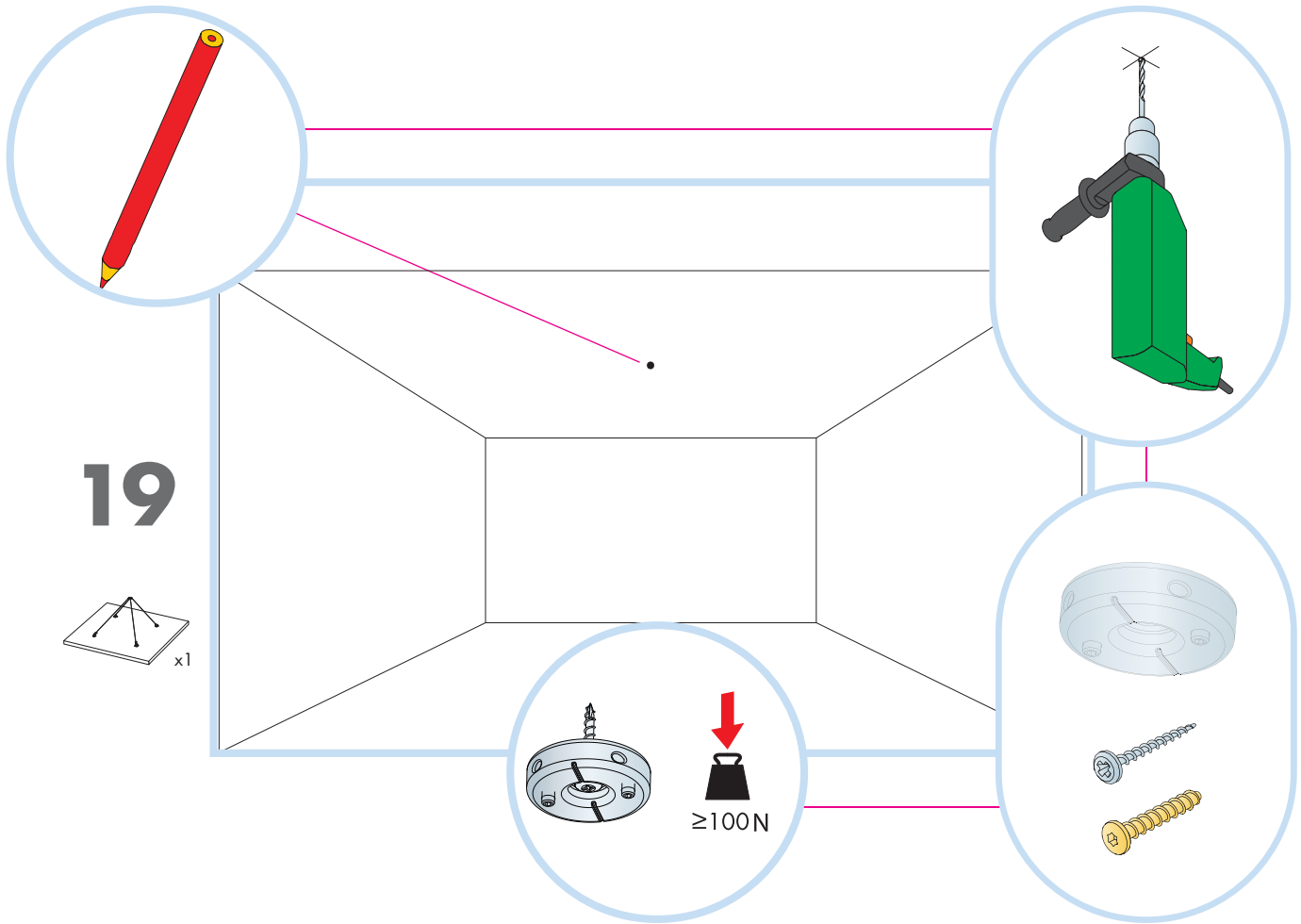




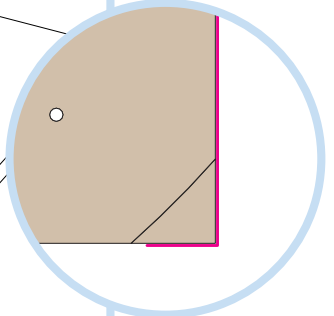
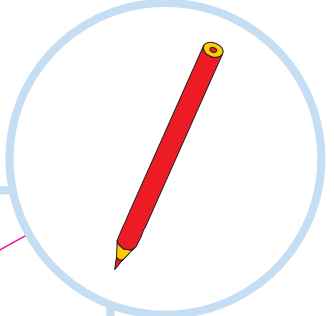
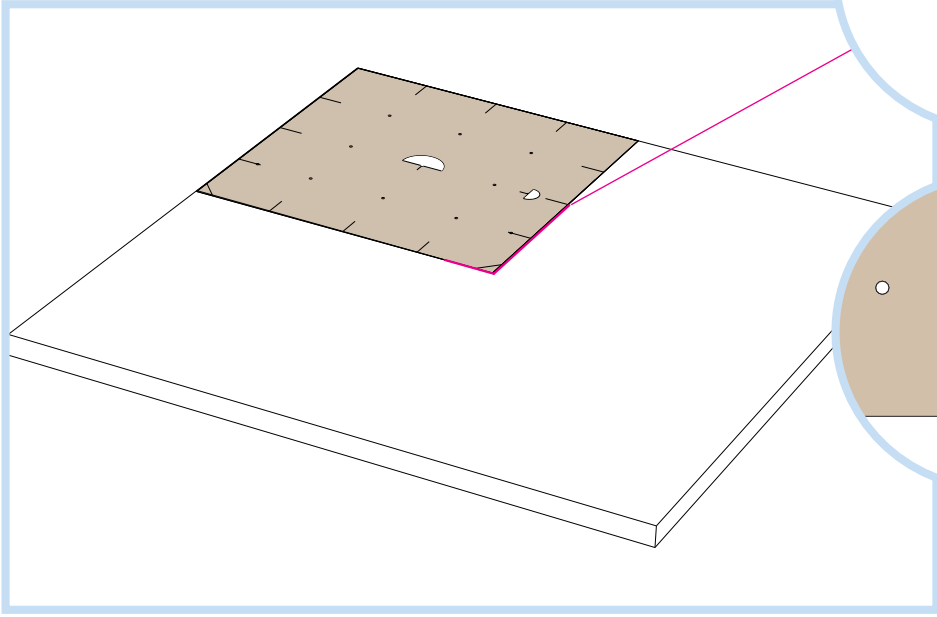
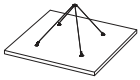


18

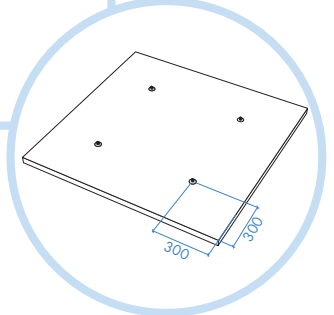
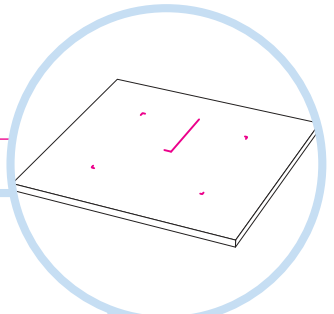
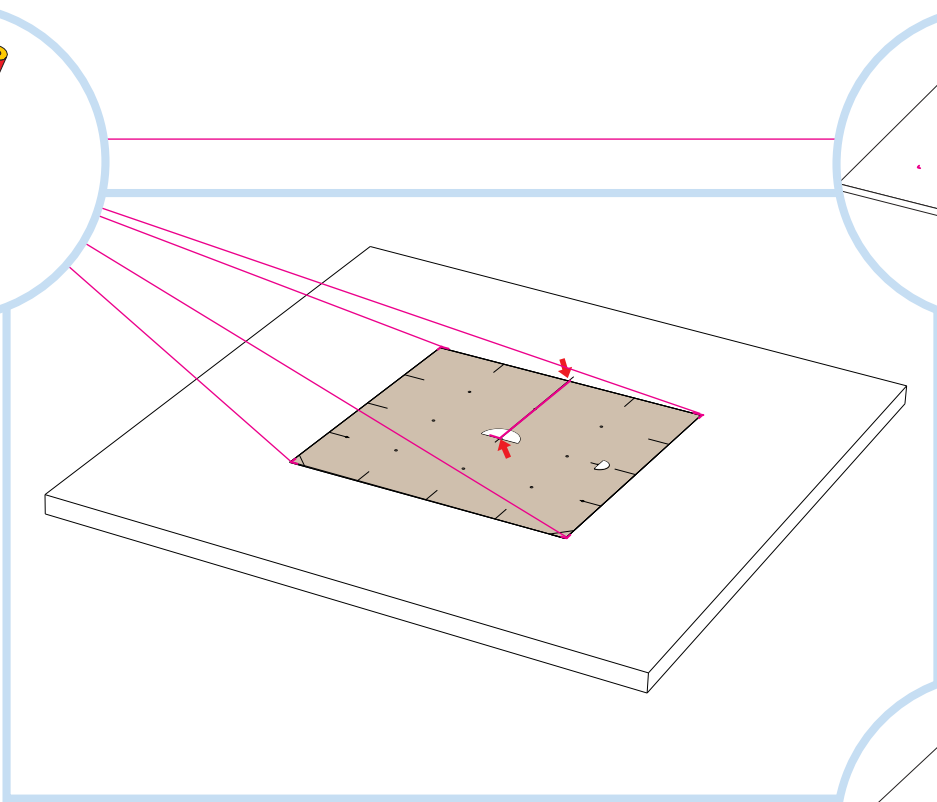




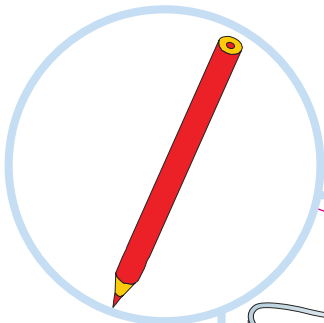
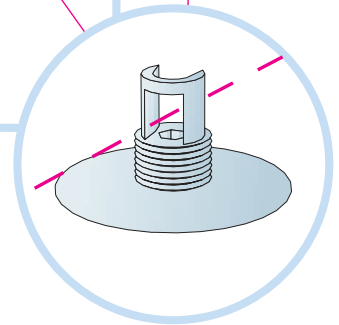
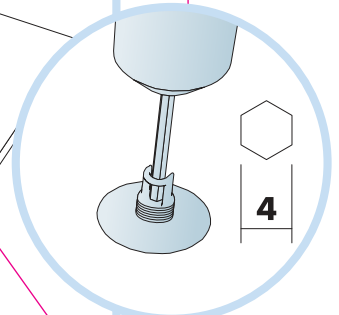
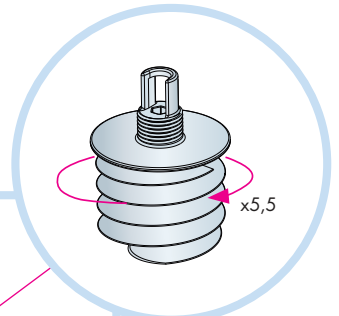
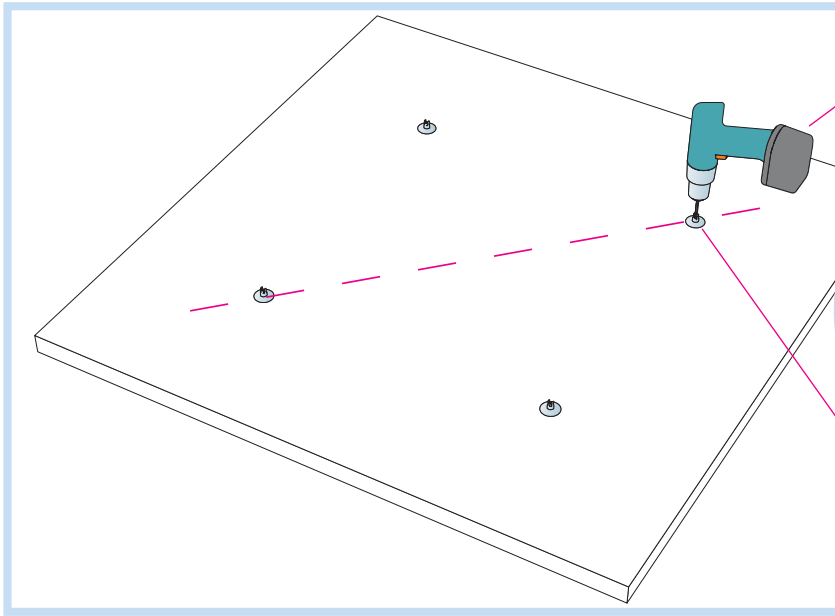
21



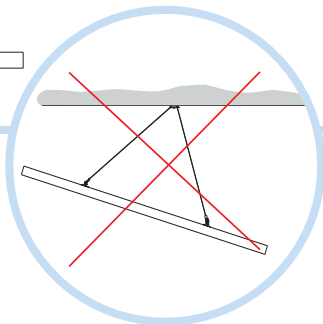
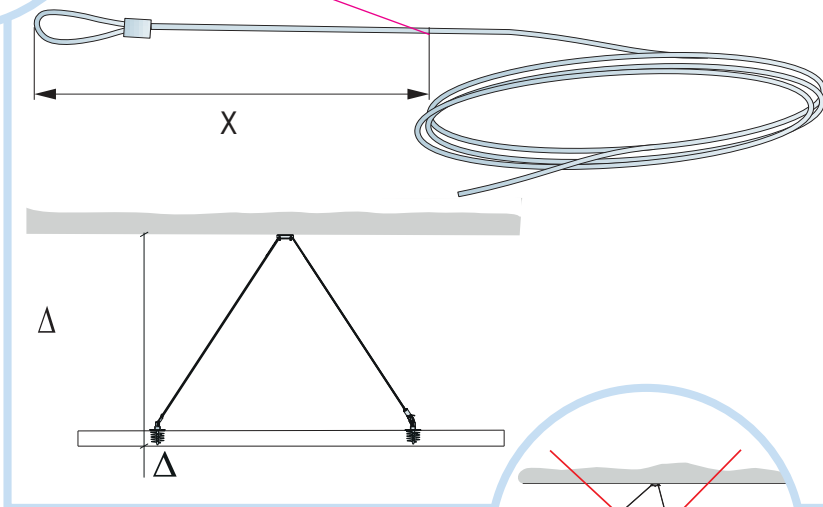
22



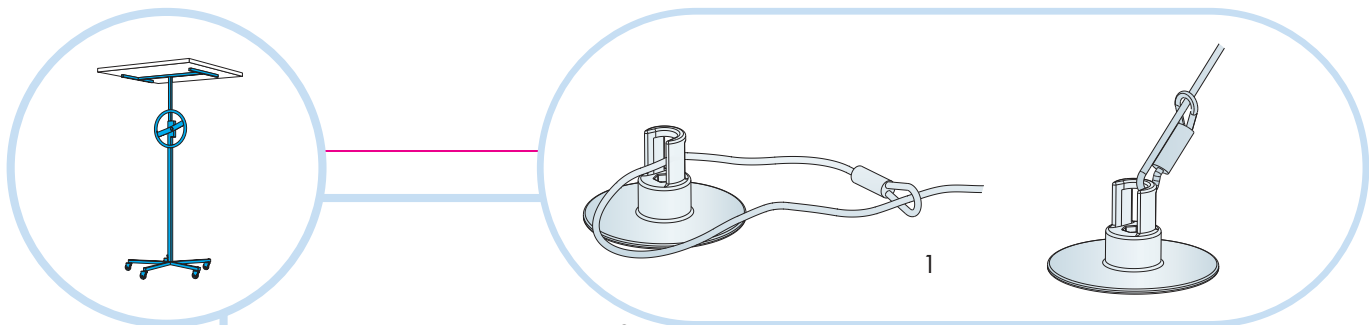
23



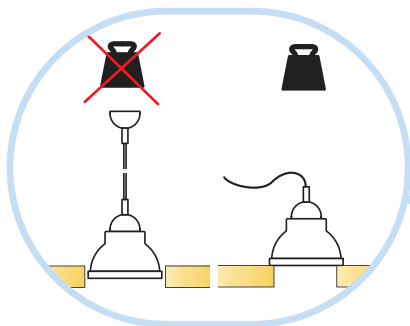
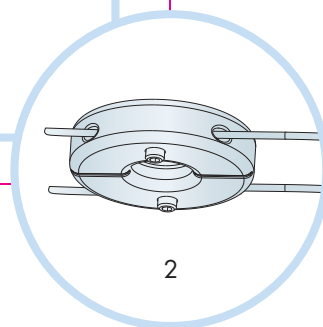
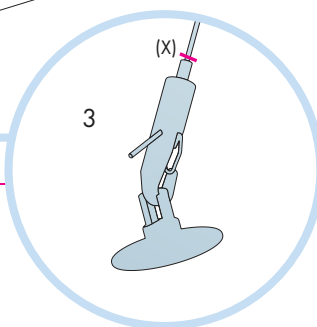
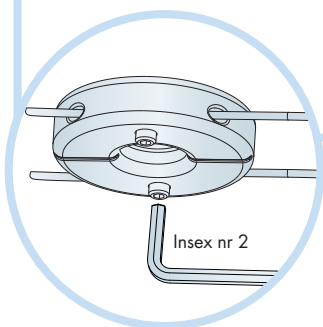
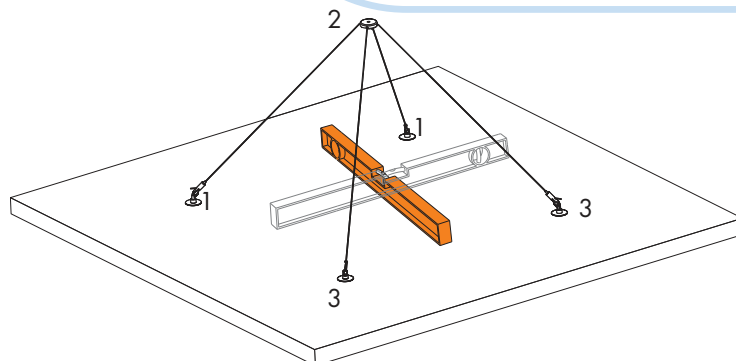
24



X	~Δ
1190	500
1270	550
1350	600
1430	650
1515	700
1595	750
1690	800
1780	850
1875	900
1965	950



25



26

