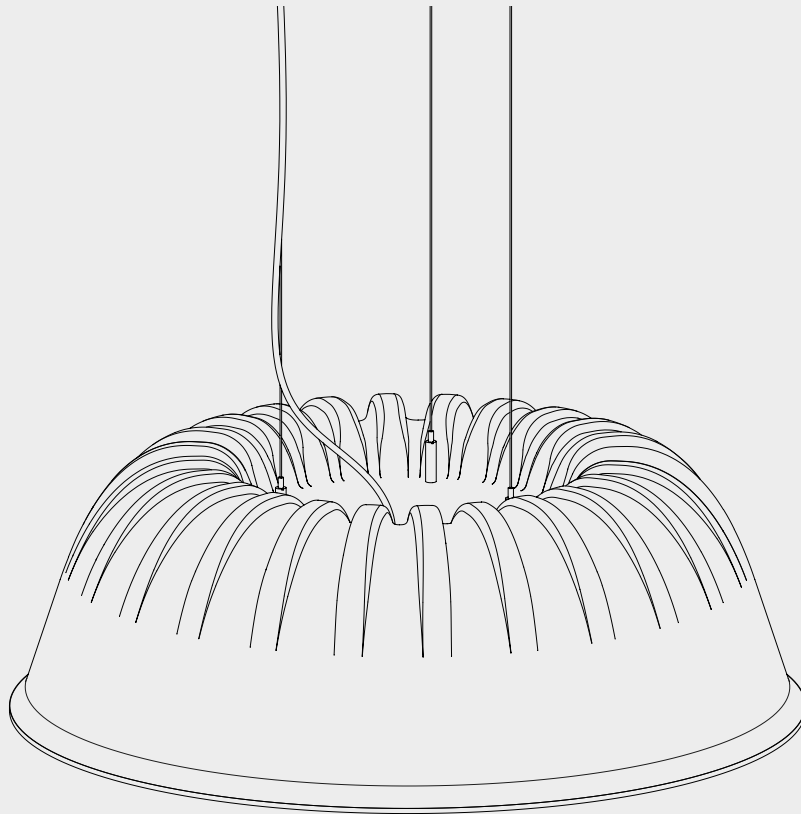


Fost Acoustic Lamp Installation Guide



DeVorm

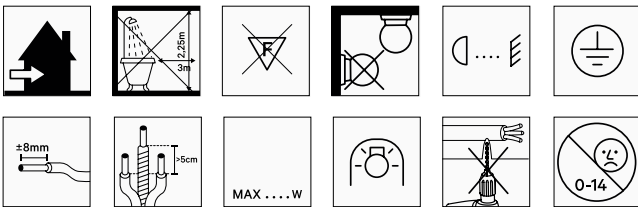
Introduction

- Follow the instructions for a safe installation.
- Make sure that the power supply has been turned off before installing or cleaning the product.
- Maintain interior lighting with a dry cloth or brush. Do not use alcohol or any other solvents to clean the product. Keep all electrical components dry. Make sure the power is switched off before cleaning this product.
- If the fixture is mounted on a metal surface, it must be earthed or connected to earthing from the electrical installation.



The lighting fixture has been designed, produced and tested according to European safety regulations (EN-60598 / CE).

All used components are UL-registered. Changes in design and technical specifications reserved.



About

With its generous dome shape and graphic expression, Fost Lamp offers a combined solution for acoustics and illumination. The PET felt lampshade has a soft texture and a bold ribbed pattern on the outside, while the inner surface features contrasting white fabric. Enveloping the LED module, the fabric gently disperses the light down, granting an inviting sensation of privacy to everyone under the lamp.

Design

De Vorm

Care & Maintenance

Make sure that the power has been turned off before cleaning this product. It is advised to clean by dabbing the PET Felt with a damp cloth. Do not rub, it can cause damage and may cause bald spots. If this is not sufficient, stubborn stains can be removed with qualitative cleaning products like the James cleaning set.

Visit devorm.nl for more information.

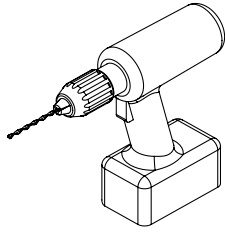
Specifications

LED module	Tronix Tri-White
Light output	1850Lm
Voltage	220V-240V
Power	18W
Colour temperature	3000K / 4000K / 5700K
CRI	>80
Beam angle	120°
Base material	PVC
Cover material	PC
Operating temperature	-20° - 65°
LED driver	Included
Dimmable	Yes (trailing edge)
Rated life hours	L70B50 (50.000h)
Power factor	>0,9
IP rating	IP54

Tools

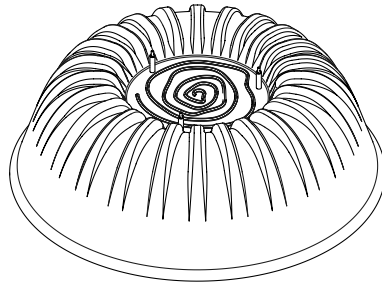


PZ Cross-head
screwdriver

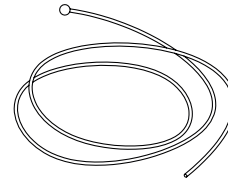


Drill

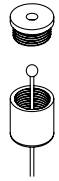
Parts required



Assembled Fost lamp
incl. electrical cord



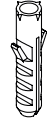
Steel cable
Ø1mm x 3m
3x



Ceiling mount
Ø11x14mm
3x



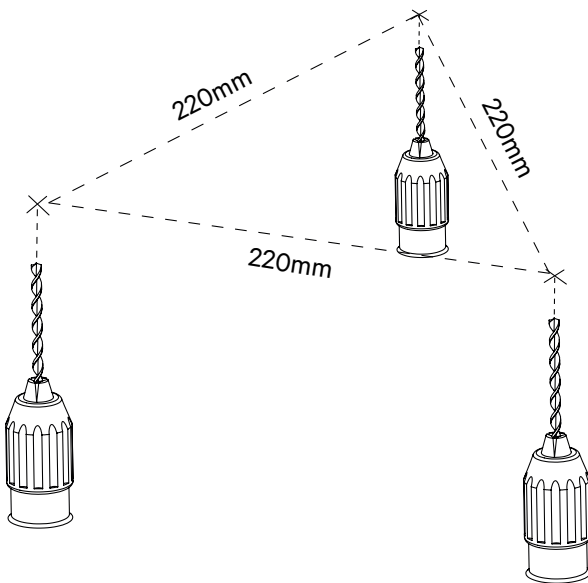
Screws
PZ 4x35 mm
3x



Plug
Ø6x30mm
3x

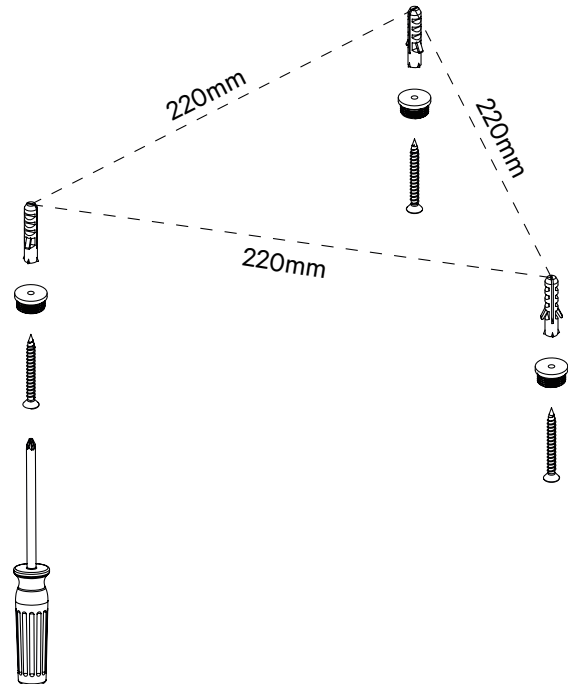
1 Make sure the power is switched off

2 Drill 3 holes with 220mm between them

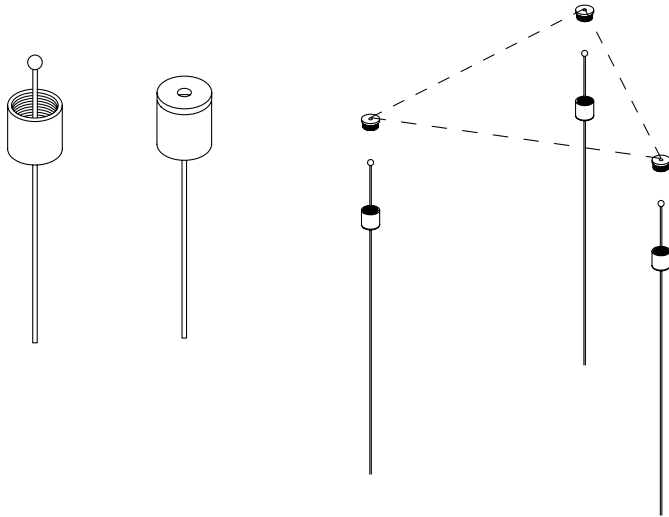


! Make sure you use the correct type of drill for the material you are drilling into

3 Insert plugs and screw the ceiling mount disk into the plug

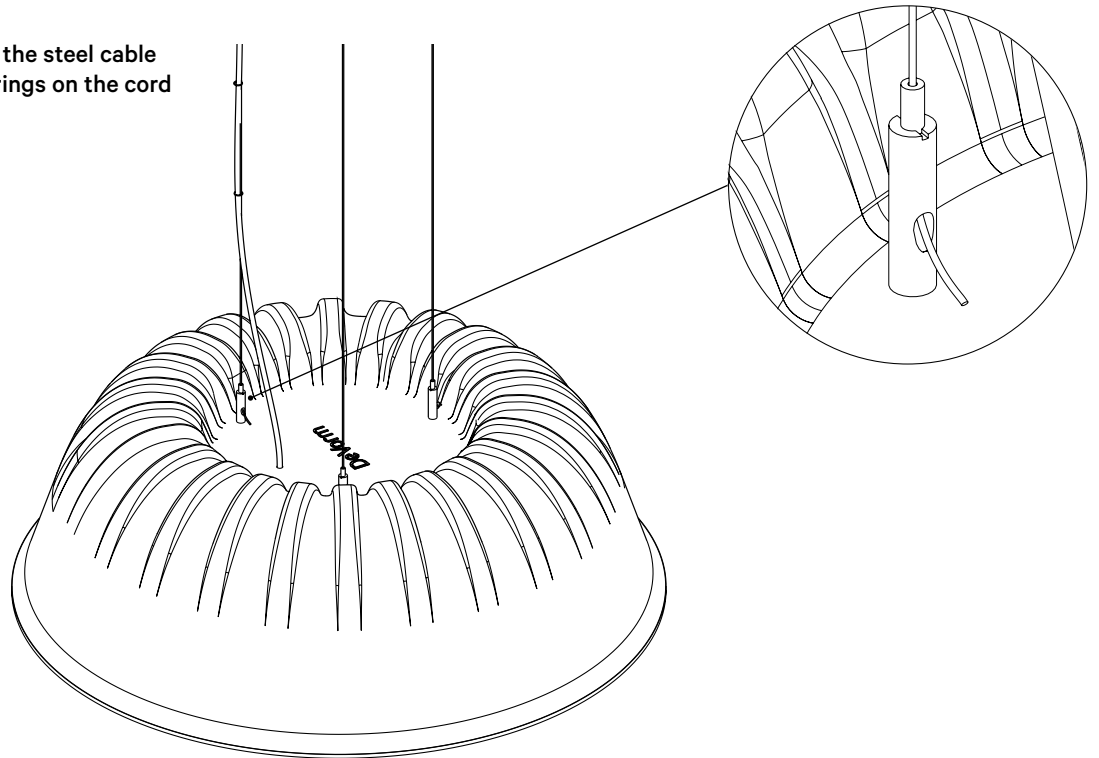


-
- 4 Insert the steel cable into the ceiling cap. Then mount the ceiling cap on the ceiling mount disk



-
- 5 Push the three steel cables into the cable adjusters and adjust them to the correct height

! Make sure to thread the steel cable through the rubber rings on the cord



-
- 6 Connect the lamp to power supply. You are all set!

We create interior products by today's standards.

De Vorm is established in a new era, we develop products by the standards of today. This means we produce efficiently, use the full lifecycle of products and eventually give them a new life.

Our emphasis lies on making a product that works, by setting a variety of conditions; it should be legible, accessible, but also environmental friendly and aesthetically perfectly in balance.

We like a product because of its functionality.

A good product makes life easier — by helping us function better throughout the day. We firmly believe that the beauty of a design lies in the sum of its functions. That is what makes it a complete product.

We continuously raise the bar.

From the very first sketches we already start searching, combining and developing new techniques to find new possibilities to innovate. Our design process is infused with technical development; techniques result in aesthetic features and the other way round.